



BS-540 BS-545 General purpose electronic siren



TECHNICAL CHARACTERISTICS	BS-540	BS-545
Operation voltages	12-24V DC	220-240V AC/50-60Hz
Maximum consumption	150mA / 4W	6VA
Sound level output at 1m	0 - 100 dB (adjustable)	
Degrees of cover protection	IP20	
Produced in accordance with	EN 60335, EN 50082-1, EN 61000-3-2, EN 61000-3-3	
Operation temperature range	0 to 60 °C	
Humidity	Up-to 95% relative humidity	
Construction material	ABS	
External dimensions	90mm (diam.) x 107mm (height)	
Typical weight	185gr	350gr
Guarantee	2 years	

**Thank you for your trust in our products.
Olympia Electronics - European manufacturer.**





General:

BS-540: The BS-540 siren is a general purpose siren able to produce a loud sound with an input voltage of 12VDC or 24VDC. It can be used with alarm systems or fire detectors and with any other sensor with 12 or 24VDC output.

BS-545: The BS-545 siren is a general purpose siren able to produce a loud sound with an input voltage of 230VAC. It can be used with any sensor with 230VAC output.

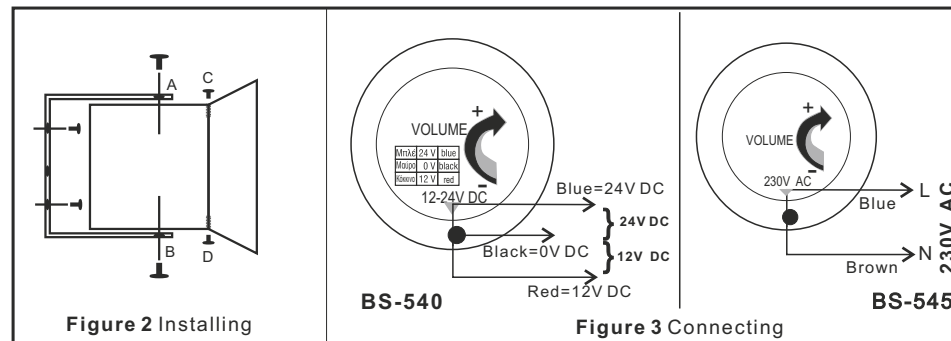
SELECTING THE SOUND:

Sound selection is done using jumpers that are found inside the device. The sound that will be produced depends on the jumper setting. **The factory default setting produces a composite alarm sound.** The siren also has a volume control adjuster. To select the sound we must first remove the two retaining screws C and D of the megaphone. (Figure 1). Next carefully unbutton the megaphone from the main body of the siren by pulling it gently. Locate the sound selection jumpers marked SOUND and set the desired combination to produce the required sound. Figure 3 shows all the possible combinations. After selecting the required sound, button the megaphone to the main siren body. Be sure to align the holes where the retaining screws C and D will be fastened.

 SOUND	Composite alarm sound	 SOUND	Fire alarm sound
 SOUND	Burglar alarm sound	 SOUND	Warning sound (Figure 1)

Mounting and connecting

Mounting and connecting the siren is very simple. The siren has a special mounting bracket. This bracket is tied to the siren using the screws that are found on the siren body. (A and B on figure 2). After mounting the bracket, using the mounting screws found in the package, we must unscrew the A and B screws from the siren. Next place the siren between the mounting bracket and fasten the A and B screws as shown in figure 2. The mounting bracket permits the siren to swivel in one direction.



WARRANTY

Olympia Electronics guarantees the quality, condition and operation of the goods. The period of warranty is specified in the official catalogue of Olympia Electronics and also in the technical leaflet, which accompanies each product. This warranty ceases to exist if the buyer does not follow the technical instructions included in official documents given by Olympia Electronics or if the buyer modifies the goods provided or has any repairs or re-setting done by a third party, unless Olympia Electronics has fully agreed to them in writing. Products that have been damaged can be returned to the premises of our company for repair or replacement, as long as the warranty period is valid. Olympia Electronics reserves the right to repair or to replace the returned goods and to or not charge the buyer depending on the reason of deflection. Olympia Electronics reserves the right to charge or not the buyer the transportation cost.

HEAD OFFICE

72nd km. O.N.R. Thessaloniki-Katerini
P. C. 60300 P.O. Box 06 Eginio Pierias Greece
www.olympia-electronics.gr
info@olympia-electronics.gr