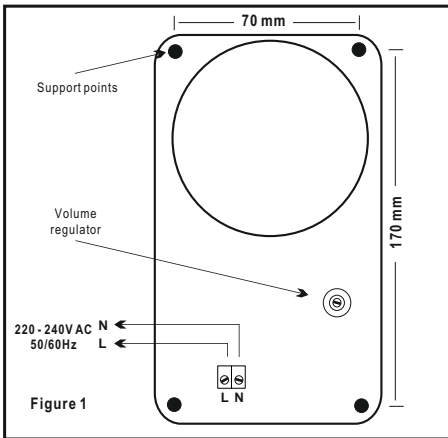




BS-546 General purpose Siren with Beacon



TECHNICAL CHARACTERISTICS	
OPERATION VOLTAGE	220 - 240V AC
CONSUMPTION	6VA
AUDIO OUTPUT AT 1 METER	100dB
BEACON	3 LED AlGaAs
DEGREES OF COVER PROTECTION	IP 20
PRODUCED IN ACCORDANCE WITH	EN 55015, EN 61547, EN 61000-3-3, EN 61000-3-2, EN 60950-1
TEMPERATURE RANGE	0 to 60°C
RELATIVE HUMIDITY	Up to 95%
CONSTRUCTION MATERIALS	ABS
DIMENSIONS	205 x 90 x 57 mm
WEIGHT	220 gr
GUARANTEE	2 years



Thank you for purchasing this product of Olympia Electronics. A European manufacturer

GENERAL

The BS-546 is a general purpose siren with beacon and is used to give a loud sound and visual indication simultaneously.

The strong and bright signal that produce is covering several square meters.

It operates with 230V AC.

The power cable could be from 0,7mm² upto 1,5mm².

INSTALLATION

The device connection with the 220 - 240V AC is shown in figure 1 and discribed below.

First, unfasten the screw located at the bottom and remove the cover.

Now a bipolar terminal blog is shown on the PCB for the mains connection.

The installation of the device is achieved with the included mounting parts. Install it, indoors or outdoors protected from rain at a hight of 2-3 meters from the floor.

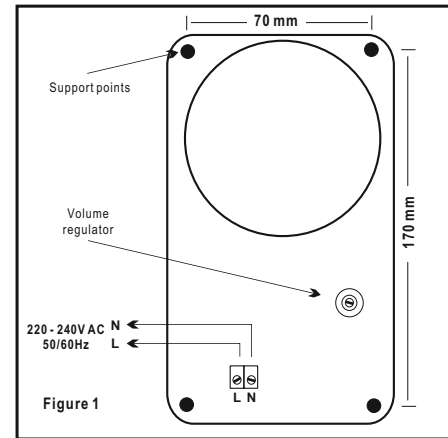
The volume is regulated with a trimmer as shown in Figure 1 .



BS-546 General purpose Siren with Beacon



TECHNICAL CHARACTERISTICS	
OPERATION VOLTAGE	220 - 240V AC
CONSUMPTION	6VA
AUDIO OUTPUT AT 1 METER	100dB
BEACON	3 LED AlGaAs
DEGREES OF COVER PROTECTION	IP 20
PRODUCED IN ACCORDANCE WITH	EN 55015, EN 61547, EN 61000-3-3, EN 61000-3-2, EN 60950-1
TEMPERATURE RANGE	0 to 60°C
RELATIVE HUMIDITY	Up to 95%
CONSTRUCTION MATERIALS	ABS
DIMENSIONS	205 x 90 x 57 mm
WEIGHT	220 gr
GUARANTEE	2 years



Thank you for purchasing this product of Olympia Electronics. A European manufacturer

GENERAL

The BS-546 is a general purpose siren with beacon and is used to give a loud sound and visual indication simultaneously.

The strong and bright signal that produce is covering several square meters.

It operates with 230V AC.

The power cable could be from 0,7mm² upto 1,5mm².

INSTALLATION

The device connection with the 220 - 240V AC is shown in figure 1 and discribed below.

First, unfasten the screw located at the bottom and remove the cover.

Now a bipolar terminal blog is shown on the PCB for the mains connection.

The installation of the device is achieved with the included mounting parts. Install it, indoors or outdoors protected from rain at a hight of 2-3 meters from the floor.

The volume is regulated with a trimmer as shown in Figure 1 .