

# PoE Extender

WI-PE31E | WI-PE51E | WI-PE31G |  
WI-PE51G | WI-PE21E | WI-PE21G



## Extender

Wi-Tek PoE Extender can extend both the Ethernet Data and IEEE 802.3at/bt power over Ethernet transmission distance over the standard 100m (328 ft.) Cat. 5/5e/6 UTP cable to 200m, 300m, 400m and the maximum 550m. Some of them come with 250-meter-long distances via Extend Mode. Some of the downlink ports are isolated from each other but can communicate with uplink ports via VLAN Mode.

## Key Features

- High power PoE output
- Compatible with 802.3af/at/bt PoE powered devices
- 250m long distance for PoE ports
- Port isolation for security
- Support desktop mount and wall mount
- Plug and play, zero configuration
- Forwards both Ethernet data and PoE power to remote device
- Cost-effective to extend your network
- Support desktop mount and wall mount
- Plug and play, zero configuration
- Forwards both Ethernet data and PoE power to remote device
- Cost-effective to extend your network

# Specifications

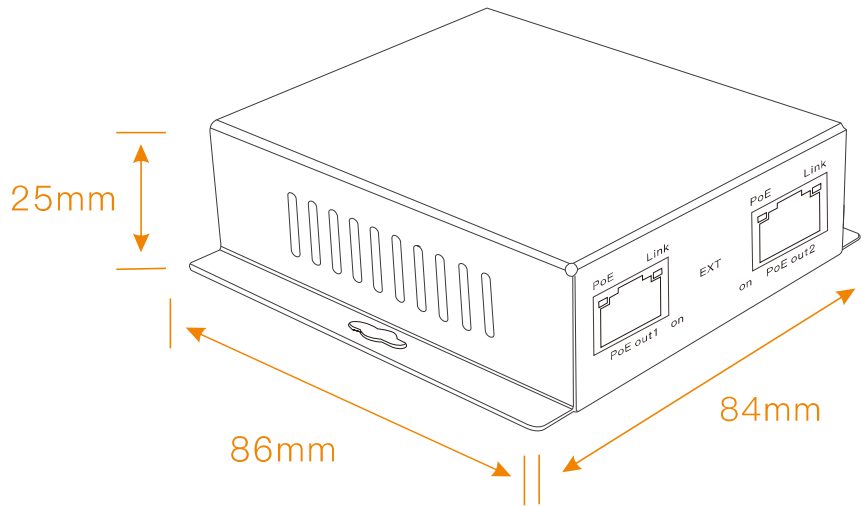


Model	WI-PE31E	WI-PE31G	WI-PE51E	WI-PE51G	WI-PE21E	WI-PE21G
<b>Hardware Specifications</b>						
Hardware Version	V1	V1	V1	V1	V1	V1
<b>Interfaces</b>						
Interfaces	PoE in port: 1 x 100Mbps PoE port with 802.3af/at 30W PoE output port: 2 x 100Mbps PoE port with 802.3af/at 30W	PoE in port: 1 x 1000Mbps PoE port with 802.3af/at 30W PoE output port: 2 x 1000Mbps PoE port with 802.3af/at 30W	PoE in port: 1 x 100Mbps PoE port with 802.3bt 60W PoE output port: 4 x 100Mbps PoE port with 802.3af/at 30W 1 x 100Mbps Ethernet port	PoE in port: 1 x 1000Mbps PoE port with 802.3bt 60W PoE output port: 4 x 1000Mbps PoE port with 802.3af/at 30W	PoE in port: 1 x 100Mbps PoE port with 802.3af/at 30W PoE output port: 1 x 100Mbps PoE port with 802.3af/at 30W	PoE in port: 1 x 1000Mbps PoE port with 802.3af/at 30W PoE output port: 1 x 1000Mbps PoE port with 802.3af/at 30W
<b>PoE</b>						
PoE Port	3 10Mbps/100Mbps PoE ports	3 100Mbps/1000Mbps PoE ports	5 10Mbps/100Mbps PoE ports	5 100Mbps/1000Mbps PoE ports	2 10Mbps/100Mbps PoE ports	2 10Mbps/100Mbps PoE ports
<b>Power Supply</b>						
Input Power	PoE DC 37–57V 1.25A Max		PoE DC 37–57V 3.75A Max		PoE DC 37–57V 0.65A Max	
Output Power	802.3af/at					
<b>Physical Characteristics</b>						
LED Indicators	<p><b>pwr</b> On: the device power on is normal Off: the device is power off or failed</p> <p><b>Link</b> On: ports link up Off: ports link down Blinking: data on TX/RX</p> <p><b>PoE</b> On: PoE working Off: PoE not working <b>On:</b> The transmission of PoE output ports can be up to 250m, but the rate is limited to 10Mbps</p>		<p><b>P</b> On: the device power on is normal Off: the device is power off or failed</p> <p><b>Link</b> On: ports link up Off: ports link down Blinking: data on TX/RX</p> <p><b>PoE</b> On: PoE working Off: PoE not working</p> <p><b>E</b> On: Extend mode is enable Off: Extend mode is disable</p>		<p><b>pwr</b> On: the device power on is normal Off: the device is power off or failed</p> <p><b>Link</b> On: ports link up Off: ports link down Blinking: data on TX/RX</p>	

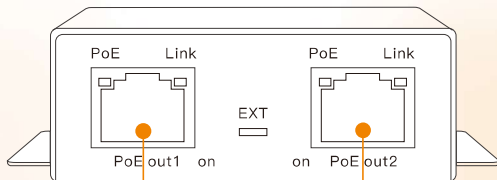
	<b>Off:</b> The transmission PoE output ports can be up to 100m with 100Mbps	<b>V</b> On: VLAN mode is enable Off: VLAN mode is disable			
Button	<b>Extend</b> On: the transmission of PoE output ports can be up to 250m, but the rate is limited to 10Mbps Off: the transmission of PoE output ports can be up to 100m with 100Mbps	<b>Default</b> The transmission of PoE output ports can be up to 100m with 100Mbps <b>VLAN</b> All downlink ports are isolated from each other, but can communicate with uplink ports <b>Extend</b> the transmission of PoE output ports can be up to 250m, but the rate is limited to 10Mbps			–
Fan Quantity	Fanless				
Extender Dimension	86*84*25 mm		140*80*27 mm		112*40*25 mm
Package Dimension	125*97*40 mm		193*95*32 mm		116*42*27 mm
Weight	Net Weight: 0.14 kg	Net Weight: 0.15 kg	Net Weight: 0.27 kg	Net Weight: 0.28 kg	Net Weight: 0.065 kg
	Package Weight: 0.18 kg	Package Weight: 0.19 kg	Package Weight: 0.31 kg	Package Weight: 0.33 kg	Package Weight: 0.07 kg
Installation	Wall-Mounted, Desktop				
<b>Environmental</b>					
Reliability	Surge Immunity	IEC 61000-4-5 Common mode 3kV Differential mode 2kV			
	ESD Protection	IEC 61000-4-2 Contact discharge 6kV Air discharge 8kV			
Operating Temperature	0°C to 40°C(32°F to 104°F)				
Operating Humidity	5% ~ 90% RH no condensation				
Storage Temperature	-40°C to 75°C(-40°F to 185°F)				
Storage Humidity	5% ~ 95% RH no condensation				
<b>Others</b>					
Certification	CE, FCC, RoHS, UKCA, RCM				

WI-PE31E

Dimensions (mm)

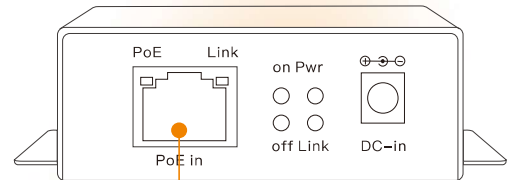


Front Panel



1 x 10/100Mbps PoE+ output port

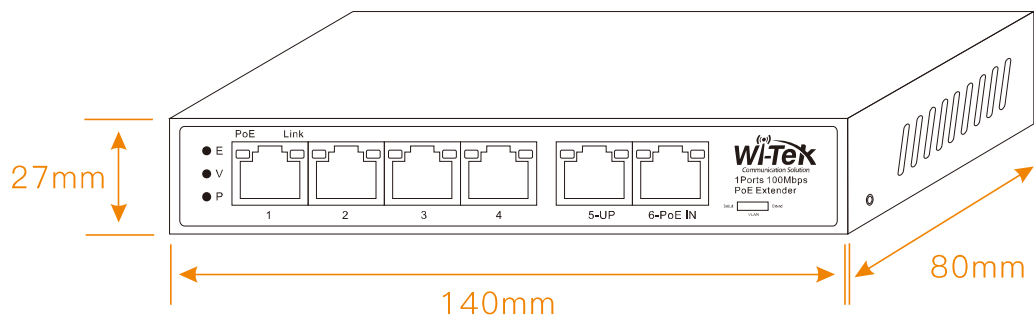
1 x 10/100Mbps PoE+ output port



1 x 10/100Mbps PoE+ input port

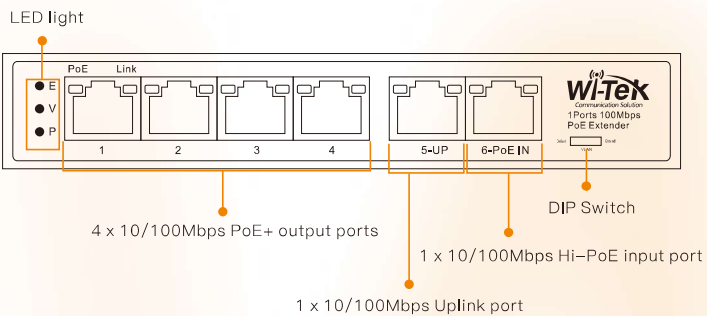
WI-PE51E

Dimensions (mm)



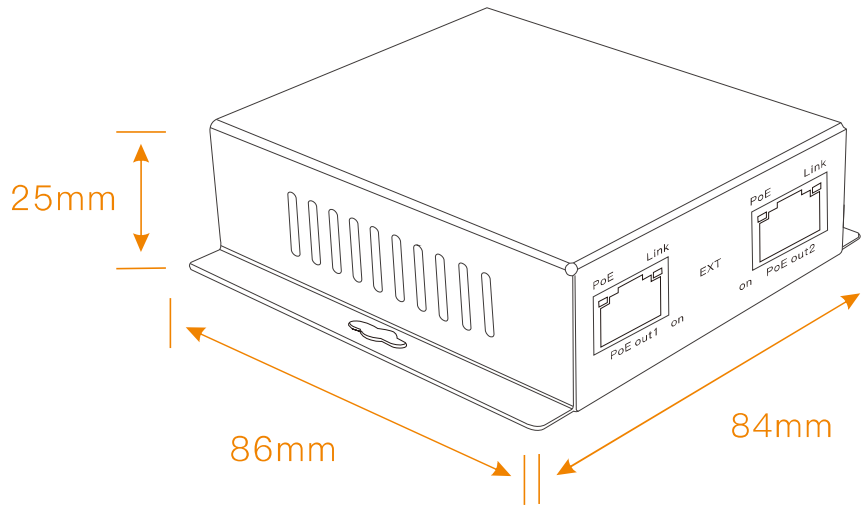
Front Panel

Side Panel

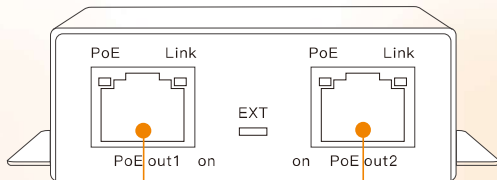


WI-PE31G

Dimensions (mm)



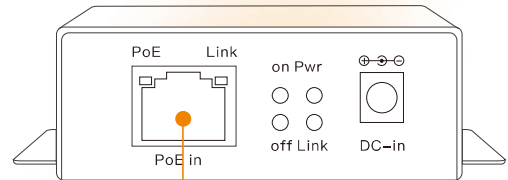
Front Panel



1 x 100/1000Mbps PoE+ output port

1 x 100/1000Mbps PoE+ output port

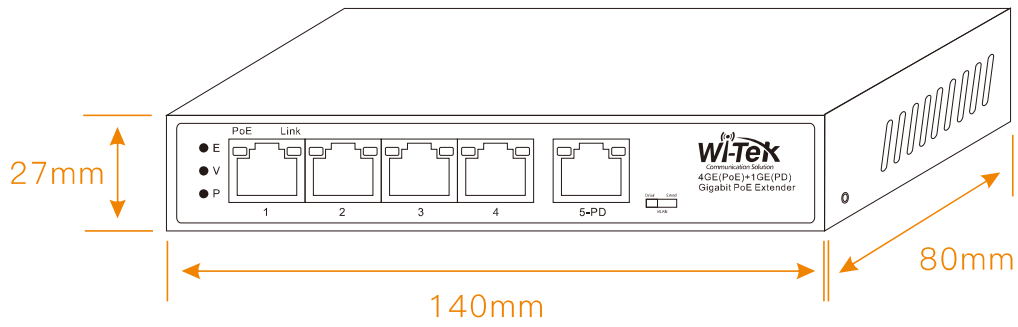
Side Panel



1 x 100/1000Mbps PoE+ input port

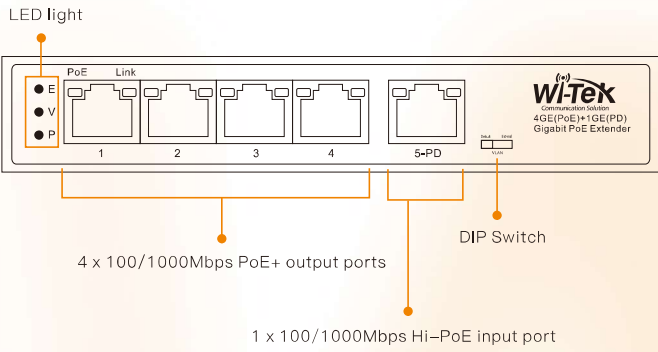
WI-PE51G

Dimensions (mm)



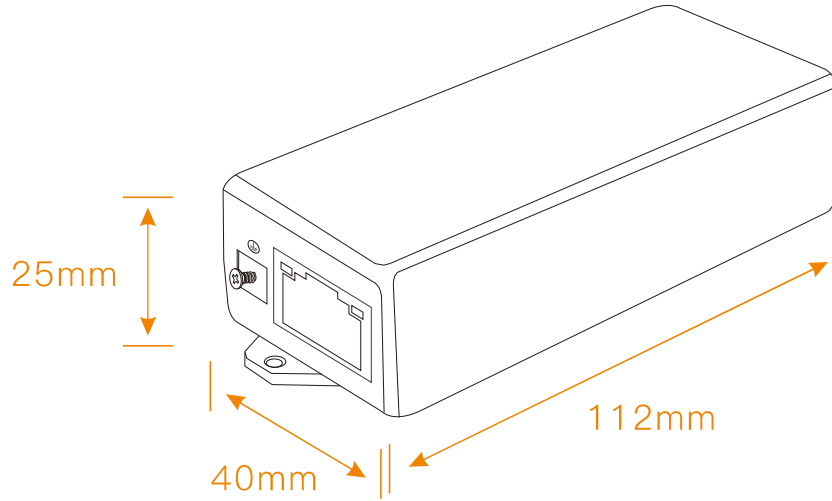
Front Panel

Side Panel

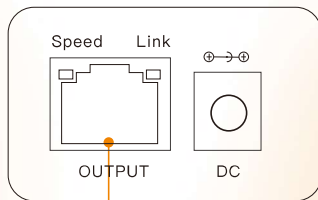


WI-PE21E

Dimensions (mm)

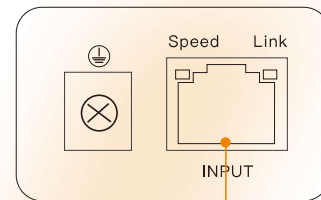


Front Panel



1 x 10/100Mbps PoE+ output port

Side Panel

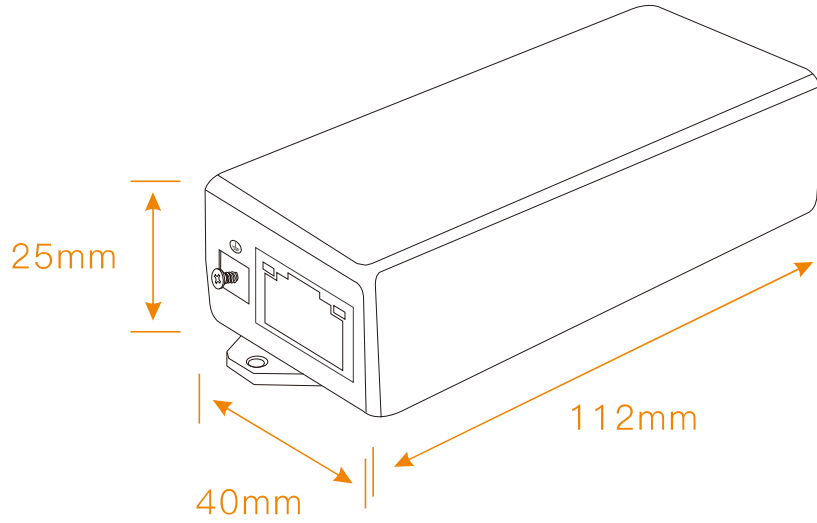


1 x 100/1000Mbps PoE+ input port

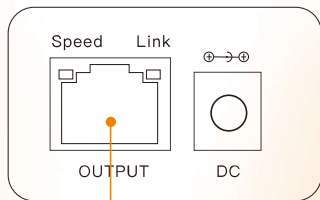


WI-PE21G

Dimensions (mm)

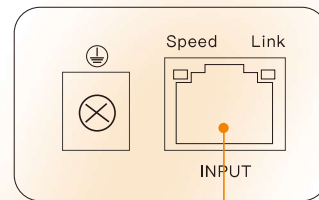


Front Panel



1 x 100/1000Mbps PoE+ input port

Side Panel



1 x 100/1000Mbps PoE+ output port

## Package Contents

Welcome to order our products. After purchasing, you will receive:

Items	Quantity
PoE Extender	1 pcs



Wireless-Tek Technology Limited  
 Address: Biaofan Technology Building 402, Bao'an street,  
 Baoan District, Shenzhen City, Guangdong, China  
 Website: [www.wireless-tek.com](http://www.wireless-tek.com)  
 Tel: 86-0755-32811290  
 Email: [sales@wireless-tek.com](mailto:sales@wireless-tek.com)  
 Technical Support: [tech@wireless-tek.com](mailto:tech@wireless-tek.com)



Technical Support



Cloud Management



Company Website