

PoE Splitter

WI-POE11S-48V | WI-POE56S-BT-I-O |
WI-POE55S-BT-I-DC | WI-POE31S



Overview

Wi-Tek PoE Splitter complies with IEEE 802.3af/at/bt or IEEE 802.3af/at standards. It can receive power and data from PSE equipment or PoE switch, and then split the power and data into two cables. Then you can install non-PoE equipment like AP, IP phone, and IP camera wherever we want to install the equipment.

Features

Compact size

Compact design for space efficiency and convenience.

Plug and Play Installation Mode, No Configuration is Required

Simply plug in the cables, Wi-Tek Splitter delivers Ethernet digital data and PoE power from the PSE (power supply equipment).

Optional Power Output

WI-POE55S-BT-I-DC can output 12V/16V/24V/48V DC to power various devices with different power requirements.

Specification



Model	WI-POE55S-BT-I-DC	WI-POE31S	WI-POE56S-BT-I-O	WI-POE11S-48V
-------	-------------------	-----------	------------------	---------------

Hardware Specifications

Hardware Version	V1	V1	V1	V1
------------------	----	----	----	----

Interfaces

Interfaces	1 100/1000Mbps PoE Input Port 1 100/1000Mbps Ethernet Port			1 10/100Mbps PoE Input Port 1 10/100Mbps Ethernet Port
------------	---	--	--	---

PoE

PoE Standard	802.3 af/at/bt	802.3 af/at	802.3 af/at/bt	802.3 af/at
PoE Power Supply Type	Mid-span and End-span			
PoE Pin Assignment	1/2(+), 3/6(-) or 4/5(+), 7/8(-)			
PoE Power Budget	90W Max	30W Max	95W Max	30W Max

Power Supply

Input Power	802.3af/at/bt	802.3af/at 30W	802.3af/at/bt	802.3af/at 30W
Output Power	DC 12V/16V/24V/48V (Select voltage value through DIP switch)	DC 12V 2A Max	DC 12V 5A	DC 12V 2A Max

Physical Characteristics

LED Indicators	<p>POE</p> <p>On: PoE power received successfully Off: No PoE power supply access Blinking: Abnormal PoE power reception or abnormal DC output</p> <p>Data</p> <p>On: Data connection is successful Blinking: Data transmission Off : No Device connected</p>	<p>POE</p> <p>On: PoE power received successfully Off: No PoE power supply access Blinking: Abnormal PoE power reception or abnormal DC output</p> <p>Data</p> <p>On: Data connection is successful Blinking: Data transmission Off : No Device connected</p>	<p>POE</p> <p>On: The voltage of PoE output is normal Off: The voltage of PoE output is abnormal</p> <p>PWR</p> <p>On: 12V DC output is normal Off: No PoE output or the splitter is abnormal</p>	<p>POE</p> <p>On: PoE power received successfully Off: No PoE power supply access Blinking: Abnormal PoE power reception or abnormal DC output</p> <p>Data</p> <p>On: Data connection is successful Blinking: Data transmission Off : No Device connected</p>
----------------	---	---	---	---

Fan Quantity	Fanless			
Splitter Dimension	115*98*30 mm	97*91*28 mm	120*58*39 mm	205*26*20 mm
Package Dimension	206*134*42 mm	125*95*42 mm	250*131*42 mm	150*100 mm
Weight	Net Weight: 0.32 kg	Net Weight: 0.17 kg	Net Weight: 0.22 kg	Net Weight: 0.045 kg
	Package Weight: 0.43 kg	Package Weight: 0.20kg	Package Weight:0.46 kg	Package Weight: 0.05 kg
Installation	Wall-Mounted, Desktop, Din-rail	Wall-Mounted,Desktop		Desktop

Environmental

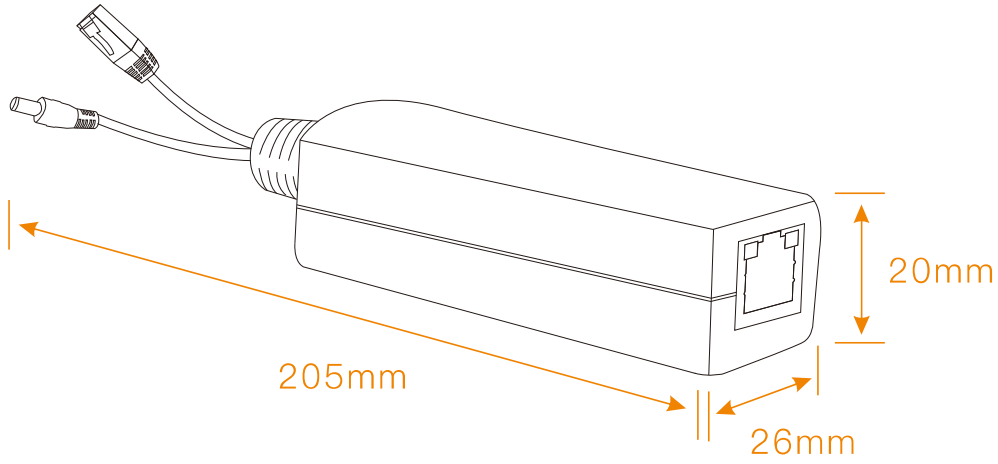
Reliability	Surge Immunity	IEC 61000-4-5 Common mode 6kV Differential mode 6kV	IEC 61000-4-5 Common mode 3kV Differential mode 1kV	IEC 61000-4-5 Common mode 6kV Differential mode 4kV	IEC 61000-4-5 Common mode 6kV Differential mode 2kV
	ESD Protection	IEC 61000-4-2 Contact discharge 8kV Air discharge 10kV	IEC 61000-4-2 Contact discharge 8kV Air discharge 10kV	IEC 61000-4-2 Contact discharge 6kV Air discharge 8kV	IEC 61000-4-2 Contact discharge 8kV Air discharge 10kV
Operating Temperature	-40°C ~ 75°C		0°C ~ 40°C	-40°C ~ 80°C	0°C ~ 40°C
Operating Humidity	5%~90% RH no condensation			10% ~ 90% RH no condensation	5% ~ 90% RH no condensation
Storage Temperature	-40°C ~ 85°C	-40°C ~ 75°C		-40°C ~ 85°C	-40°C ~ 75°C
Storage Humidity	5%~95% RH no condensation			5% ~ 90% RH non-condensing	5%~95% RH no condensation

Others

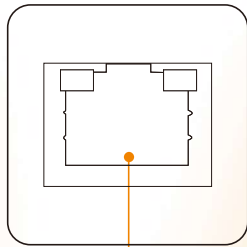
Certification	CE, FCC, RoHS, UKCA, RCM
---------------	--------------------------

WI-POE11S-48V

Dimensions (mm)

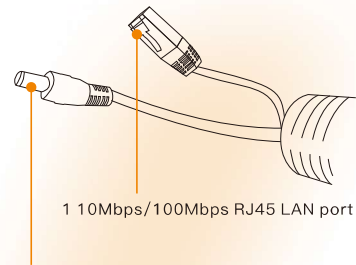


Front Panel



1 10Mbps/100Mbps PoE+ input port

Side Panel

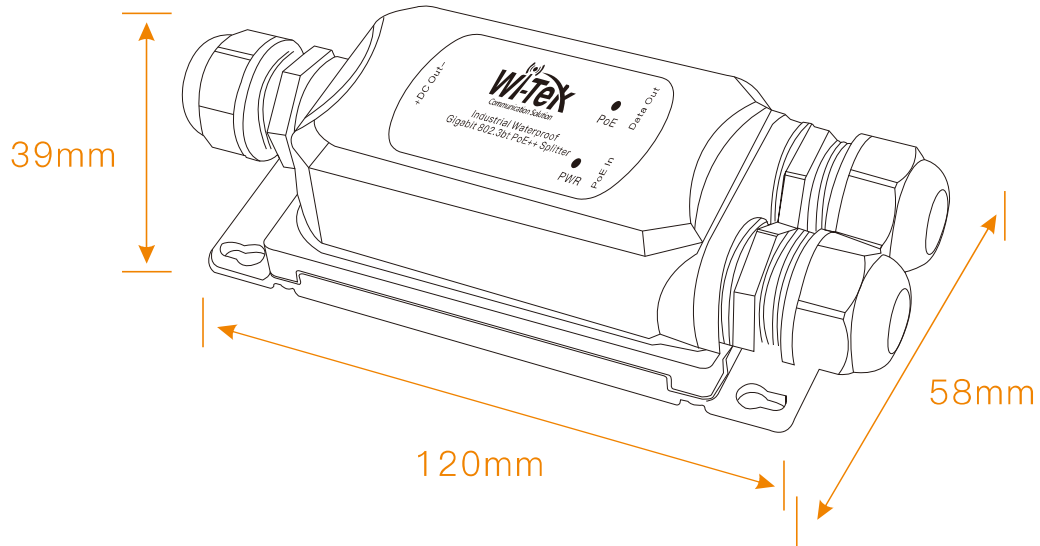


DC 12V/2A Output

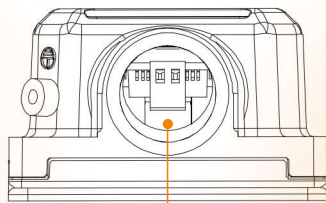
1 10Mbps/100Mbps RJ45 LAN port

WI-POE56S-BT-I-O

Dimensions (mm)

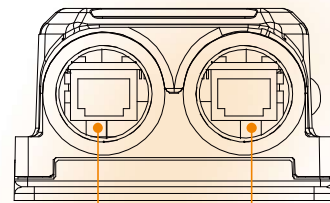


Front Panel



DC 12V 5A Output

Side Panel

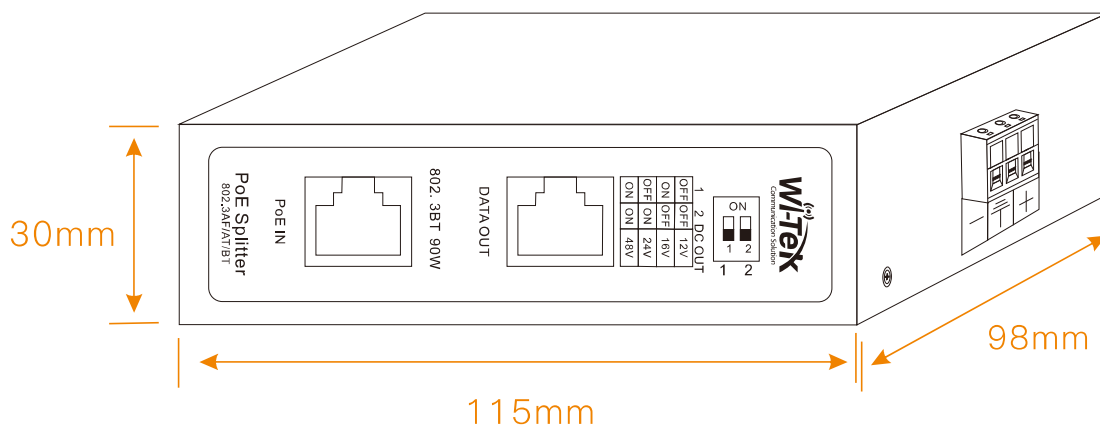


1 100Mbps/1000Mbps RJ45 LAN port

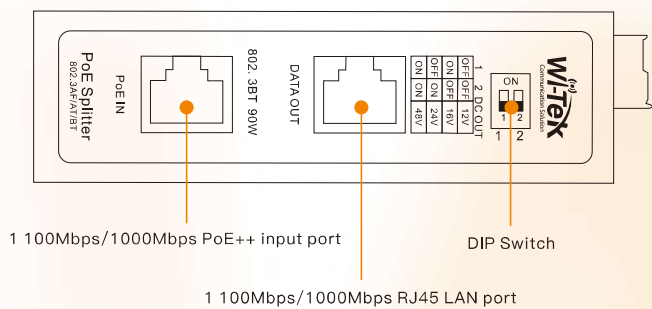
1 100Mbps/1000Mbps PoE++ Input port

WI-POE55S-BT-I-DC

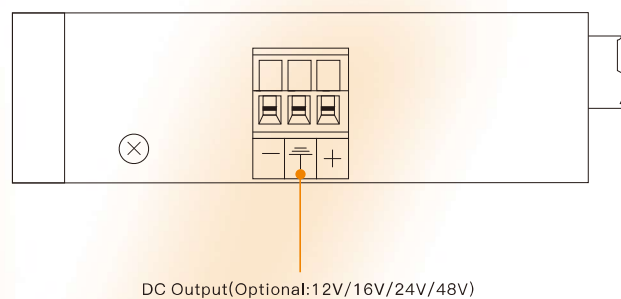
Dimensions (mm)



Front Panel

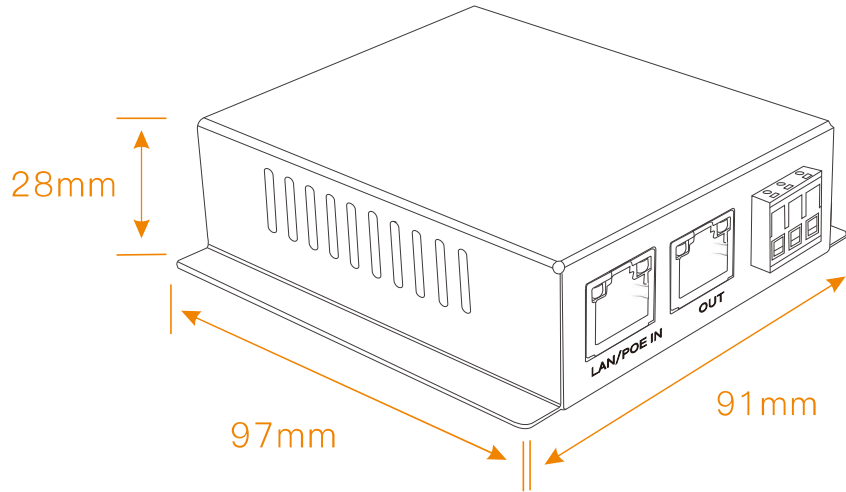


Side Panel

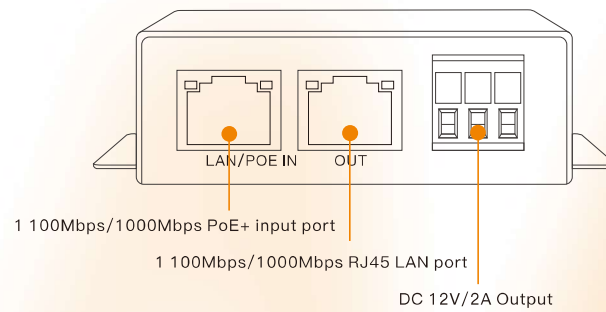


WI-POE31S

Dimensions (mm)



Front Panel



Package Contents

Welcome to order our products. After purchasing, you will receive:

WI-POE56S-BT-I-O

Items	Quantity
PoE Splitter	1 pcs
M22 Waterproof Gland	3 pcs
Wrench	1 pcs
Ground Wire	1 pcs
Quick Installation Guide	1 pcs

WI-POE55S-BT-I-DC

Items	Quantity
PoE Splitter	1 pcs
Wall-mount Kit	1 pcs
Screw driver	1 pcs
Quick Installation Guide	1 pcs

WI-POE11S-48V | WI-POE31S

Items	Quantity
PoE Splitter	1 pcs



Wireless-Tek Technology Limited

Address: Biaofan Technology Building 402, Bao'an street,
Baoan District, Shenzhen City, Guangdong, China

Website: www.wireless-tek.com

Tel: 86-0755-32811290

Email: sales@wireless-tek.com

Technical Support: tech@wireless-tek.com



Technical Support



Cloud Management



Company Website