

48V 30W

# PoE Injector

WI-POE31-48V | WI-POE51-48V



## Overview

Wi-Tek PoE Injector provides 100Mbps and 1000Mbps Ethernet and up to 30W power supply, to meet the needs of different terminal equipment.

## Features

### Save your Cable and Time

Your IP camera and wireless AP will not be limited by the locations without a power outlet and no additional AC wiring. Most of all, it reduces installation time.

### Plug and Play, No Configuration Required

A plug-and-play design allows administrators to quickly connect the injector to the device with no hassle and no action required.

### Easy to Install

Zero configuration, simply connect the injectors to an Ethernet Switch and to the IP-based PoE device to provide power and data for the network with a compact and lightweight design.



## Specifications

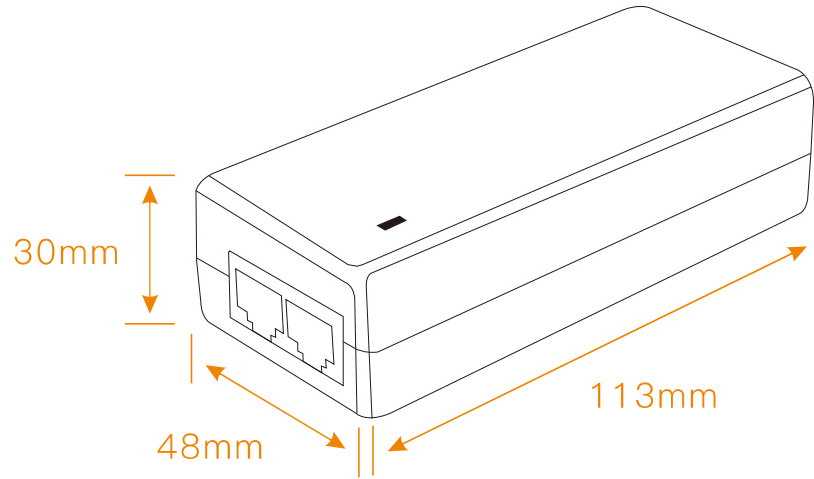
Model		WI-POE31-48V	WI-POE51-48V
<b>Hardware Specifications</b>			
Hardware Version		V1	V1
<b>Interfaces</b>			
Interfaces		1 10Mbps/100Mbps RJ45 LAN port 1 10Mbps/100Mbps PoE port	1 100Mbps/1000Mbps RJ45 LAN port 1 100Mbps/1000Mbps PoE port
<b>PoE</b>			
PoE Output Power		48V 0.5A Max	
PoE Pin Assignment		1/2(+), 3/6(-)	
<b>Power Supply</b>			
Input Power		AC 100 ~ 240V 50/60Hz 0.3A Max	
<b>Physical Characteristics</b>			
LED Indicators		power Blinking: Abnormal power reception On: the device power on is normal Off: the device is power off or failed	
Fan Quantity		Fanless	
Injector Dimension		114*48*30 mm	
Package Dimension		200*132*42 mm	
Weight		Net Weight: 0.12 kg	
		Package Weight: 0.26 kg	
Installation		Desktop	
<b>Environmental</b>			
Reliability	Surge Immunity	IEC 61000-4-5 Common mode 3kV Differential mode 2kV	
	ESD Protection	IEC 61000-4-2 Contact discharge 6kV Air discharge 8kV	
Operating Temperature		-10°C to 55°C(14°F to 131°F)	

Operating Humidity	5% ~ 90% RH no condensation
Storage Temperature	-40°C to 75°C(-40°F to 167°F)
Storage Humidity	5%~95% RH no condensation
Others	
Certification	CE, FCC, RoHS, UKCA, RCM

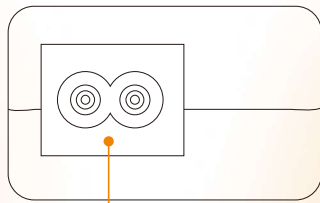


WI-POE31-48V

Dimensions (mm)

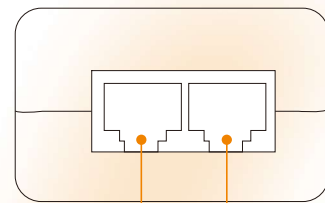


Front Panel



AC IN 100-240V

Side Panel

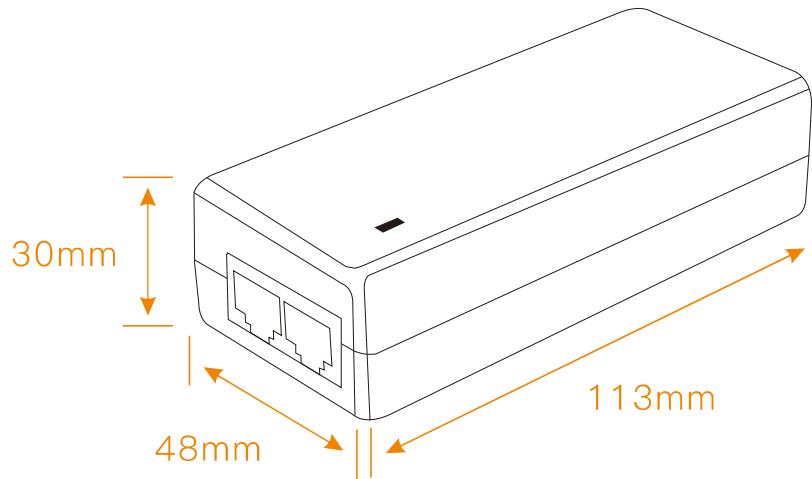


1\*10/100Mbps Ethernet Port

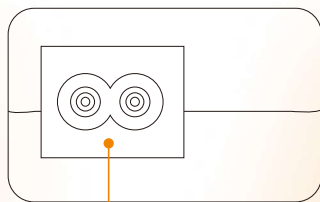
1\*10/100Mbps PoE RJ45 Port

WI-POE51-48V

Dimensions (mm)

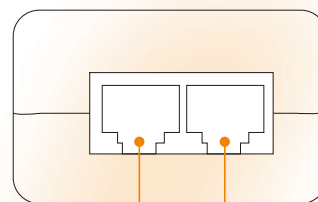


Front Panel



AC IN 100-240V

Side Panel



1\*100/1000Mbps PoE RJ45 Port

1\*100/1000Mbps Ethernet Port

## Package Contents

Welcome to order our products. After purchasing, you will receive:

Items	Quantity
PoE Injector	1 pcs
Power cord	1 pcs
Quick Installation Guide	1 pcs



Wireless-Tek Technology Limited

Address: Biaofan Technology Building 402, Bao'an street,  
Baoan District, Shenzhen City, Guangdong, China

Website: [www.wireless-tek.com](http://www.wireless-tek.com)

Tel: 86-0755-32811290

Email: [sales@wireless-tek.com](mailto:sales@wireless-tek.com)

Technical Support: [tech@wireless-tek.com](mailto:tech@wireless-tek.com)



Technical Support



Cloud Management



Company Website