

24V PoE Injector

WI-POE31-24V | WI-POE51-24V



Overview

Wi-Tek 24V injector provides 100Mbps or 1000Mbps ports and supports 24V Passive PoE output. Wi-Tek Power over Ethernet injectors provides different power and high-speed Ethernet data connection anywhere in your network. It can provide power to devices far away from sockets.

Features

Save your Cable and Time

Your CPE and 24V Passive PoE equipment will no longer be restricted by locations without power sockets and power sockets, additional AC wiring. Most of all, it reduces installation time.

Plug and Play, No Configuration Required

A plug-and-play design allows administrators to quickly connect the injector to the device with no hassle and no action required

Easy to Install

Zero configuration, simply connect the injectors to an Ethernet Switch and to the IP-based PoE device to provide power and data for the network with a compact and lightweight design.



Specifications

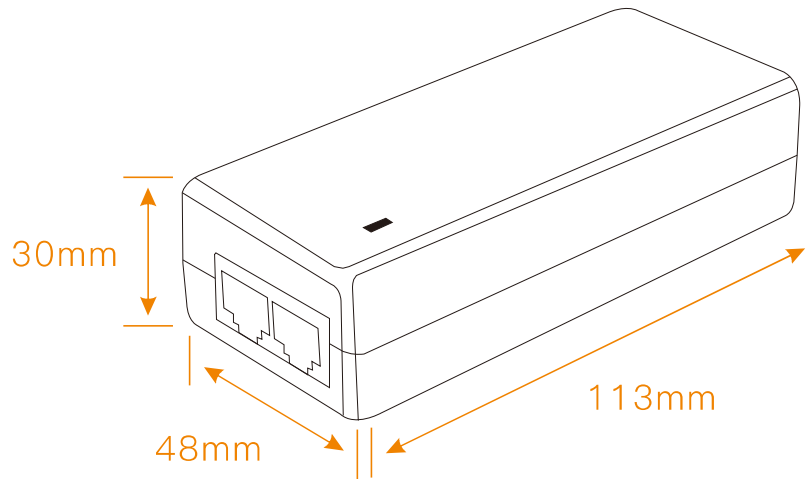
Model	WI-POE31-24V	WI-POE51-24V
Hardware Specifications		
Hardware Version	V1	V1
Interfaces		
Interfaces	1 10Mbps/100Mbps RJ45 LAN port 1 10Mbps/100Mbps PoE port	1 100Mbps/1000Mbps RJ45 LAN port 1 100Mbps/1000Mbps PoE port
PoE		
PoE Output Power	Passive PoE 24V 1A max	
Power Supply		
Input Power	AC 100 ~ 240V 50/60Hz 0.3A Max	
Physical Characteristics		
LED Indicators	power On: the device power on is normal Off: the device is power off or failed	
Fan Quantity	Fanless	
Injector Dimension	114*48*30 mm	
Package Dimension	200*132*42 mm	
Weight	Net Weight: 0.11 kg	
	Package Weight: 0.26 kg	
Installation	Desktop	
Environmental		
Reliability	Surge Immunity	IEC 61000-4-5 Common mode 3kV Differential mode 2kV
	ESD Protection	IEC 61000-4-2 Contact discharge 6kV Air discharge 8kV
Operating Temperature	-10°C to 55°C(14°F to 131°F)	

Operating Humidity	5% ~ 90% RH no condensation
Storage Temperature	-40°C to 75°C(-40°F to 167°F)
Storage Humidity	5%~95% RH no condensation
Others	
Certification	CE, FCC, RoHS, UKCA, RCM

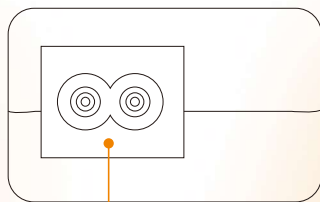


WI-POE31-24V

Dimensions (mm)

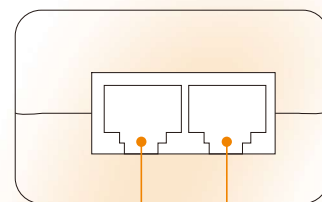


Front Panel



AC IN 100-240V

Side Panel

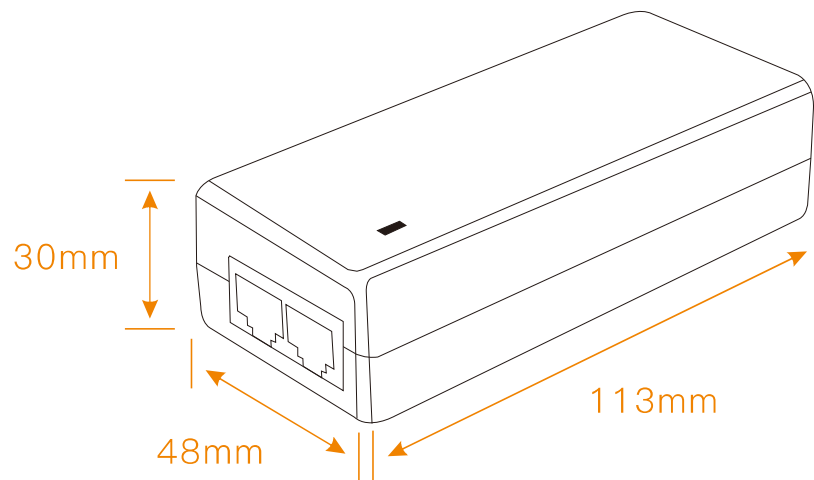


1*10/100Mbps Ethernet Port

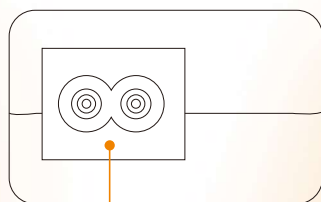
1*10/100Mbps PoE RJ45 Port

WI-POE51-24V

Dimensions (mm)

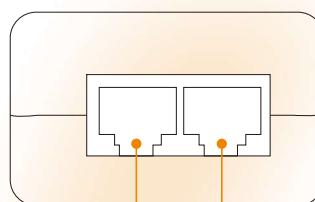


Front Panel



AC IN 100-240V

Side Panel



1*100/1000Mbps PoE RJ45 Port

1*100/1000Mbps Ethernet Port

Package Contents

Welcome to order our products. After purchasing, you will receive:

Items	Quantity
PoE Injector	1 pcs
Power cord	1 pcs
Quick Installation Guide	1 pcs



Wireless-Tek Technology Limited

Address: Biaofan Technology Building 402, Bao'an street,
Baoan District, Shenzhen City, Guangdong, China

Website: www.wireless-tek.com

Tel: 86-0755-32811290

Email: sales@wireless-tek.com

Technical Support: tech@wireless-tek.com



Technical Support



Cloud Management



Company Website