

48V 30W PoE Injector

WI-POE31-48V | WI-POE51-48V



Overview

Wi-Tek PoE Injector provides 100Mbps and 1000Mbps Ethernet and up to 30W power supply, to meet the needs of different terminal equipment.

Features

Save your Cable and Time

Your IP camera and wireless AP will not be limited by the locations without a power outlet and no additional AC wiring. Most of all, it reduces installation time.

Plug and Play, No Configuration Required

A plug-and-play design allows administrators to quickly connect the injector to the device with no hassle and no action required.

Easy to Install

Zero configuration, simply connect the injectors to an Ethernet Switch and to the IP-based PoE device to provide power and data for the network with a compact and lightweight design.



Specifications

Model		WI-POE31-48V	WI-POE51-48V
Hardware Specifications			
Hardware Version		V1	V1
Interfaces			
Interfaces		1 10Mbps/100Mbps RJ45 LAN port 1 10Mbps/100Mbps PoE port	1 100Mbps/1000Mbps RJ45 LAN port 1 100Mbps/1000Mbps PoE port
PoE			
PoE Output Power		48V 0.5A Max	
PoE Pin Assignment		1/2(+), 3/6(-)	
Power Supply			
Input Power		AC 100 ~ 240V 50/60Hz 0.3A Max	
Physical Characteristics			
LED Indicators		power Blinking: Abnormal power reception On: the device power on is normal Off: the device is power off or failed	
Fan Quantity		Fanless	
Injector Dimension		114*48*30 mm	
Package Dimension		200*132*42 mm	
Weight		Net Weight: 0.12 kg	
		Package Weight: 0.26 kg	
Installation		Desktop	
Environmental			
Reliability	Surge Immunity	IEC 61000-4-5 Common mode 3kV Differential mode 2kV	
	ESD Protection	IEC 61000-4-2 Contact discharge 6kV Air discharge 8kV	
Operating Temperature		-10°C to 55°C(14°F to 131°F)	

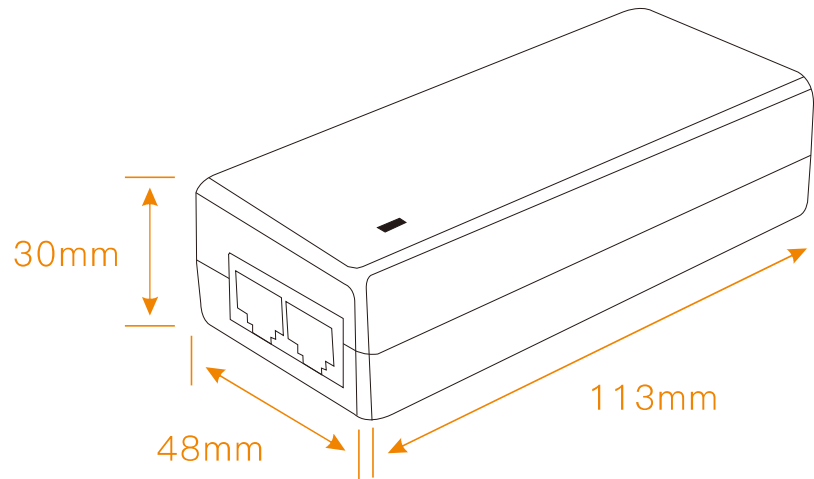


Operating Humidity	5% ~ 90% RH no condensation
Storage Temperature	-40°C to 75°C(-40°F to 167°F)
Storage Humidity	5%~95% RH no condensation
Others	
Certification	CE, FCC, RoHS, UKCA, RCM

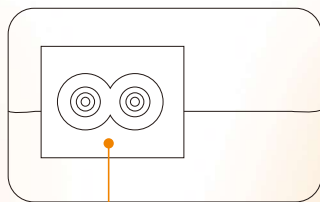


WI-POE31-48V

Dimensions (mm)

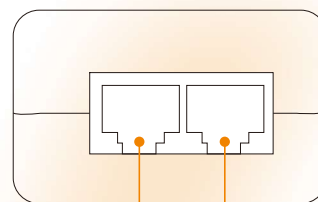


Front Panel



AC IN 100-240V

Side Panel

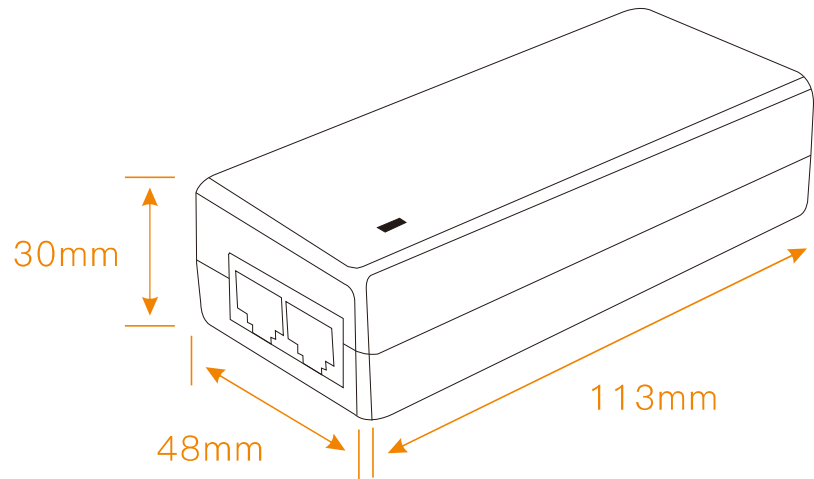


1*10/100Mbps Ethernet Port

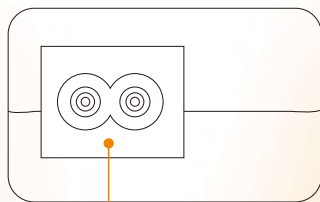
1*10/100Mbps PoE RJ45 Port

WI-POE51-48V

Dimensions (mm)

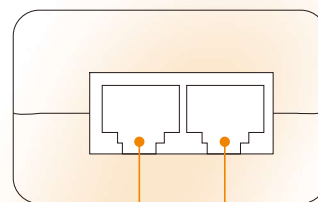


Front Panel



AC IN 100-240V

Side Panel



1*100/1000Mbps PoE RJ45 Port

1*100/1000Mbps Ethernet Port

Package Contents

Welcome to order our products. After purchasing, you will receive:

Items	Quantity
PoE Injector	1 pcs
Power cord	1 pcs
Quick Installation Guide	1 pcs



Wireless-Tek Technology Limited

Address: Biaofan Technology Building 402, Bao'an street,
Baoan District, Shenzhen City, Guangdong, China

Website: www.wireless-tek.com

Tel: 86-0755-32811290

Email: sales@wireless-tek.com

Technical Support: tech@wireless-tek.com



Technical Support



Cloud Management



Company Website