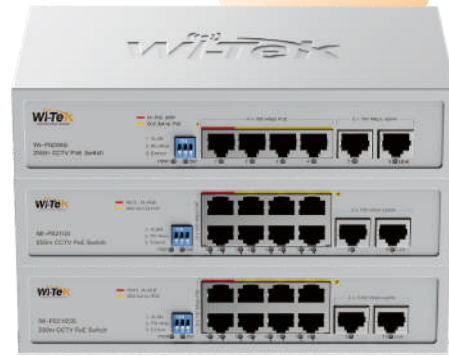


250m CCTV PoE Switch



WI-PS206S | WI-PS210S | WI-PS210GS

Hardware version:V2

Overview

Wi-Tek's CCTV 250m PoE Series Switch offers 4/8 100Mbps PoE ports and 2 Uplink Ethernet ports, which provides an affordable PoE solution, empowering your CCTV, and other IP-based devices up to 250m away, break free from PoE distance limitations. Support for enabling VLAN, Extend, and PD Alive functions through independent DIP switches provide much value to basic networking requirements, creating a multi-functional and reliable CCTV network solution.

Features

Hi-PoE 60W Design for Higher Power PoE Devices

Suitable for powering high-power PD, meeting the need for adequate PoE power for HD IP monitoring, and more flexible project adaptation.

PoE 250m Long Distance to Extend Network

DIP switch provides Extend Mode. All PoE ports can transmit data and power up to 250 meters. No further hardware or configuration is necessary, easy-to-use, and cost-saving. Perfect for surveillance camera deployment in large areas.

PD Alive mode to Reboot the unresponded-camera

All PoE ports enable PD Alive function, which can detect and reboot the offline compliant PoE powered devices.

Port Isolation to Prevent Broadcast Storm

With VLAN Mode, all PoE ports only can communicate with uplink ports. Avoid data leakage between each port and prevent broadcast storms from disabling the network.

Double Uplink to Eliminate the Bandwidth Limit

Uplink ports superficially resemble any other normal port on a switch or hub. Additionally, connecting the uplink port on one switch to the normal port on another switch can help expand the bandwidth of the network.

Specifications



Model	WI-PS206S	WI-PS210S	WI-PS210GS
Hardware Specifications			
Hardware Version	V2	V2	V2
Interfaces			
Downlink Ports	4 * 100Mbps RJ45 PoE Ports	8 * 100Mbps RJ45 PoE Ports	8 * 100Mbps RJ45 PoE Ports
Uplink Ports	2 * 100Mbps RJ45 Ports	2 * 100Mbps RJ45 Ports	2 * 100Mbps RJ45 Ports
PoE			
PoE Port	Port 1-4	Port 1-8	Port 1-8
PoE Standard	Port 1: Hi-PoE Port 2-4: 802.3af/at	Port 1: Hi-PoE Port 2-8: 802.3af/at	Port 1: Hi-PoE Port 2-8: 802.3af/at
PoE Pin Assignment	1/2(+), 3/6(-)		
PoE Power Budget	60W	95W	95W
Switch Property			
Standards and Protocols	IEEE 802.3, IEEE 802.3u, IEEE 802.3x, IEEE802.3af, and IEEE802.3at		
Forwarding Mode	Store and Forward		
Switching Capacity	1.2 Gbps	2 Gbps	5.6 Gbps
Packet Forwarding Rate	0.89Mpps	1.49Mpps	4.17Mpps
MAC Address Table	2k	2k	2k
Packet Buffer Memory	768Kbit		1Mbit
Power Supply			
Input Power	100~240V AC 50/60 Hz		
Power Consumption	Idle: 5 W 100% Traffic Rate with PoE: 65 W	Idle: 5 W 100% Traffic Rate with PoE: 100 W	Idle: 5 W 100% Traffic Rate with PoE: 100 W

Model	WI-PS206S	WI-PS210S	WI-PS210GS
Physical Characteristics			
LED Indicators	<p>PWR Solid on: The system power supply is normal. Off: The system power supply is abnormal.</p> <p>Link indicator Solid on: A link has been established on the interface. Blinking: Data is being transmitted or received on the interface. Off: No link is established on the interface.</p> <p>SW* Solid on: VLAN mode enabled or VLAN mode and PD Alive mode are enabled at the same time. 1/2s Blinking: Extend mode enabled or Extend mode and PD Alive mode are enabled at the same time. 1/4s Blinking: Extend mode and VLAN mode are enabled at the same time or Extend mode, PD Alive mode and VLAN mode are enabled at the same time. Off: No function select or PD Alive mode enabled.</p>		
Fan Quantity	Fanless		
Switch Dimensions (W*D*H)	200*118*44mm		
Package Dimensions	245*190*60mm		
Weight	Net Weight: 0.60 kg	Net Weight: 0.62kg	Net Weight: 0.62 kg
	Package Weight: 0.86 kg	Package Weight: 0.93 kg	Package Weight: 0.93 kg
Installation	Desktop, Wall-mount		
Button			
DIP Switch	<p>VLAN mode All downlink ports are isolated from each other, but can communicate with uplink ports.</p> <p>PD Alive mode All PoE ports enable PoE watchdog function, which can detect and reboot the offline compliant PoE powered devices.</p> <p>Extend mode The transmission distance of port can be up to 250m, but the rate is limited to 10Mbps.</p>		

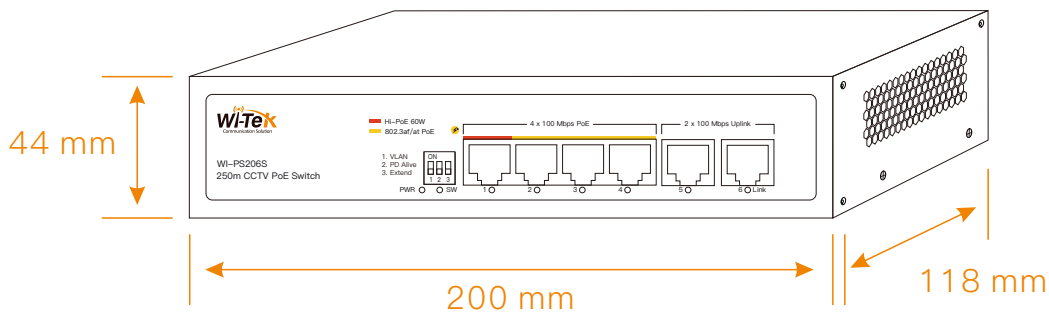
* For details about how to select the DIP switch function mode, reference the Quick Installation Guide

Model		WI-PS206S	WI-PS210S	WI-PS210GS
Environmental				
Reliability	Surge Immunity	IEC 61000-4-5 Common mode $\pm 4\text{kV}$ Differential mode $\pm 2\text{kV}$		
	ESD Protection	IEC 61000-4-2 Contact discharge $\pm 6\text{kV}$ Air discharge $\pm 8\text{kV}$		
Operating environment		0°C to 40°C(32°F to 104°F); 10%~90% RH no condensation		
Storage environment		-40°C to 70°C(-40°F to 158°F); 5%~90% RH no condensation		
Others				
Certification		CE, FCC, RoHS, UKCA, RCM		

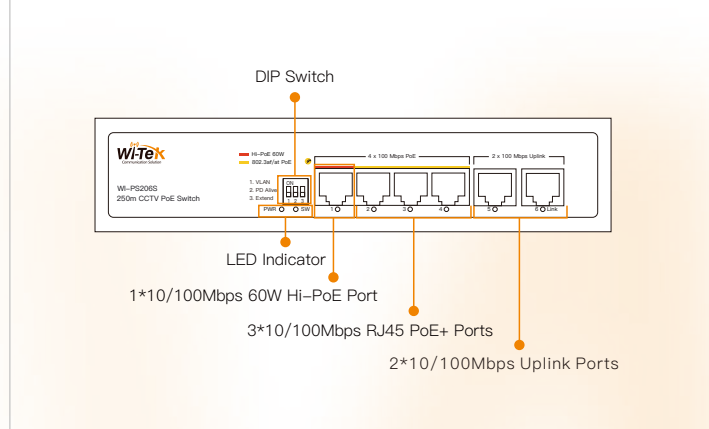
Appearances and Dimensions

WI-PS206S

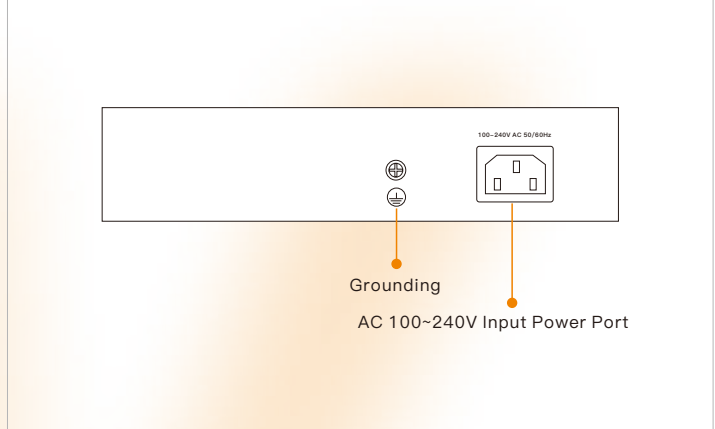
Dimensions (mm)



Front Panel

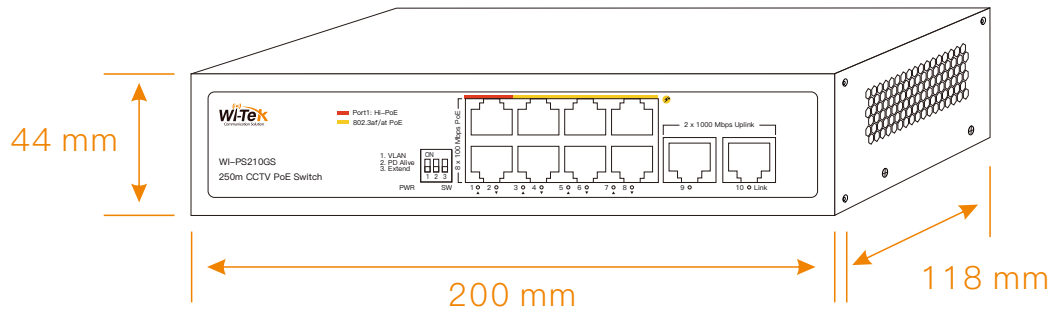


Back Panel

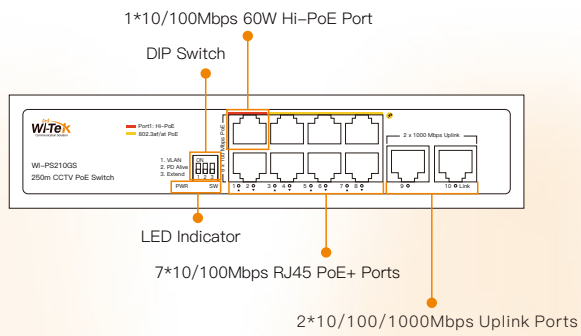


WI-PS210GS

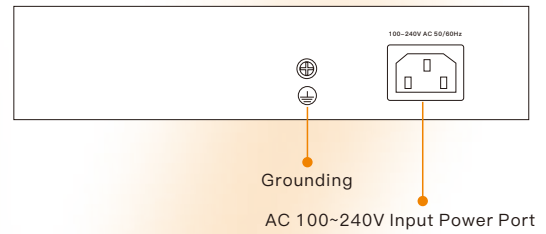
Dimensions (mm)



Front Panel



Back Panel



Package Contents

Welcome to order our products. After purchasing, you will receive:

Items	Quantity
Switch	1 pcs
AC Power Cord	1 pcs
Quick Installation Guide	1 pcs



Wireless-Tek Technology Limited
 Address: Building 3, Units 1801-1807, 1812, Huaqiang Era Plaza, Tangwei Community, Fuhai Street, Bao'an District, Shenzhen City, Guangdong Province, China.
 Website: www.wireless-tek.com
 Tel: 86-0755-32811290
 Email: sales@wireless-tek.com
 Technical Support: tech@wireless-tek.com



Technical Support



Cloud Management



Company Website