

Datasheet

100Mbps PoE Switch

WK-PS219GF | WK-PS227GF



Overview

The WIKING 100Mbps PoE series switch offers 16/24 100Mbps PoE ports. Specific network ports can deliver up to 60W, providing robust power support for high-demand devices. It features 2 gigabit RJ45 ports and 1 gigabit SFP slot for flexible network expansion. Support for VLAN, Extend mode, and via a smart DIP switch meets various project needs. The switch automatically detects and identifies PoE-compliant power-receiving devices and provides both power and data transmission through a network cable, simplifying installation and reducing costs—creating a multi-functional and reliable CCTV network solution.

Features

PoE 250m Long-Distance Extension

The DIP switch enables Extend mode, allowing all PoE ports to transmit data and power up to 250 meters. No additional hardware or configuration is required, making it easy to use and cost-effective—perfect for deploying surveillance cameras in large areas.

Smart PoE Watchdog for Automatic Reboot Offline PD

All PoE ports support the PD Alive function, which automatically detects and reboots offline PoE powered devices, ensuring stable network operation.

Port Isolation for Security and Broadcast Storm Prevention

With VLAN mode, all PoE ports can communicate only with uplink ports, preventing data leakage between ports and mitigating broadcast storms that could disrupt the network.

Plug and Play, No Configuration Required

No professional expertise is needed—even non-technical users can easily deploy the network.

Fanless Design for Silent Operation

The fanless design ensures a quiet working environment, making it ideal for offices, hotels, and other noise-sensitive locations.

Specifications



Model	WK-PS219GF	WK-PS227GF
Hardware Specifications		
Interfaces		
Downlink Ports	16*10/100Mbps RJ45 PoE Ports	24*10/100Mbps RJ45 PoE Ports
Uplink Ports	2*10/100/1000Mbps RJ45 Ports 1*1000Mbps SFP Slot	2*10/100/1000Mbps RJ45 Ports 1*1000Mbps SFP Slot
PoE		
PoE Port	Port 1- 16	Port 1- 24
PoE Standard	Port 1: Hi-PoE 60W Port 2-16: 802.3af/at	Port 1: Hi-PoE 60W Port 2-24: 802.3af/at
PoE Pin Assignment	1/2(+), 3/6(-)	
PoE Power Budget	180W	270 W
Switch Property		
Standards and Protocols	IEEE 802.3, IEEE 802.3u, IEEE 802.3x, IEEE 802.3z, IEEE802.3af, IEEE802.3at	
Forwarding Mode	Store and Forward	
Switching Capacity	9.2Gbps	10.8Gbps
Packet Forwarding Rate	6.84Mpps	8.03Mpps
MAC Address Table	2k	2k
Packet Buffer Memory	768Kbit	
Jumbo Frame	2KB	

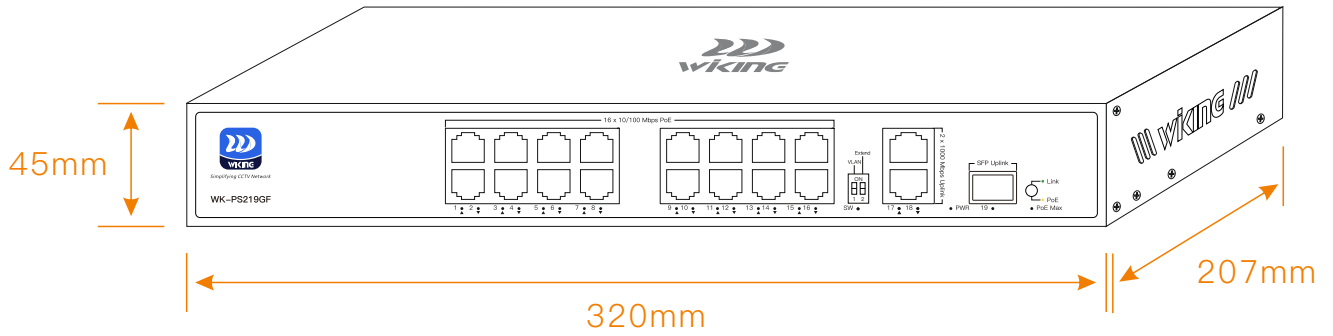
Model	WK-PS219GF	WK-PS227GF
Power Supply		
Input Power	100~240V AC 50/60 Hz	
Power Consumption	Idle: 10W 100% Traffic Rate with PoE: 190W	Idle: 10W 100% Traffic Rate with PoE: 280W
Physical Characteristics		
LED Indicators	<p>PWR(Green) Solid on: The system power supply is normal Off: The system power supply is abnormal</p> <p>PoE(Yellow) On: PoE enabled Off: PoE disabled</p> <p>Link(Green) Solid on: A link has been established on the interface Blinking: Data is being transmitted or received on the interface Off: No link is established on the interface</p> <p>SW(Green) Solid on: VLAN mode, Extend mode and PD Alive mode enabled. Blinking: Extend mode(or VLAN mode) and PD Alive mode enabled. Off: Default disable VLAN mode, Extend mode and PD Alive mode.</p> <p>PoE Max(Green) On: Indicates that the PoE power usage is greater than 95% but less than 100% Blinking (once per second): Indicates that the PoE power usage is between 90% and 95% Off: Indicates that the PoE power usage is less than 90%</p>	
Fan Quantity	Fanless	
Switch Dimensions (W*D*H)	320*207*45mm	320*207*45mm
Package Dimensions	370*290*85mm	
Weight	Net Weight: 1.61kg	Net Weight: 1.79kg
	Package Weight: 2.14kg	Package Weight: 2.32kg
Material	Iron	
Installation	Desktop, Rack-mount	

Model		WK-PS219GF	WK-PS227GF
Button			
DIP Switch*		<p>VLAN</p> <p>Enable VLAN and PD Alive mode. All downlink ports are isolated but can communicate with uplink ports. All PoE ports enable the PD watchdog function to detect and reboot the offline-compliant PoE-powered devices.</p> <p>Extend</p> <p>Enable Extend and PD Alive mode. The transmission distance of port 1-16(WK-PS219GF)/ port 9-24(WK-PS227GF) can be up to 250m, but the rate is limited to 10Mbps. All PoE ports enable the PD watchdog function to detect and reboot the offline-compliant PoE-powered devices.</p>	
PoE/Link LED Switch Button		<p>Default State: The indicator light is green, showing the Link status</p> <p>After Pressing the Button: The indicator light turns yellow, showing the PoE status, which indicates the PoE power status</p>	
Environmental			
Reliability	Surge Immunity	<p>IEC 61000-4-5</p> <p>Common mode ±4kV</p> <p>Differential mode ±2kV</p>	
	ESD Protection	<p>IEC 61000-4-2</p> <p>Contact discharge ±6kV</p> <p>Air discharge ± 8kV</p>	
Operating environment		-10°C to 50°C(14°F to 122°F); 10%~90% RH no condensation	
Storage environment		-40°C to 70°C(-40°F to 158°F); 5%~95% RH no condensation	
Others			
Certification		CE, FCC, RoHS, UKCA, RCM	

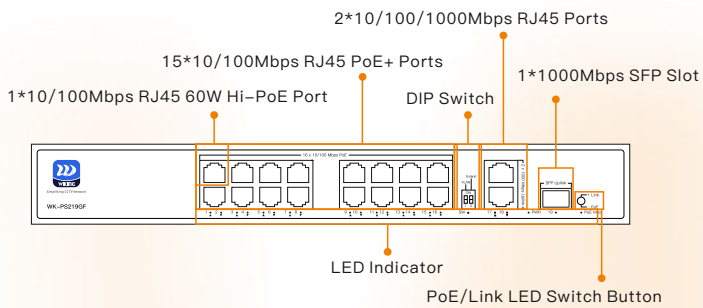
* For details about how to select the DIP switch function mode, reference the Quick Installation Guide.

WK-PS219GF

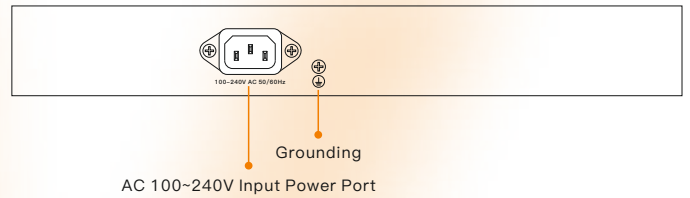
Dimensions (mm)



Front Panel

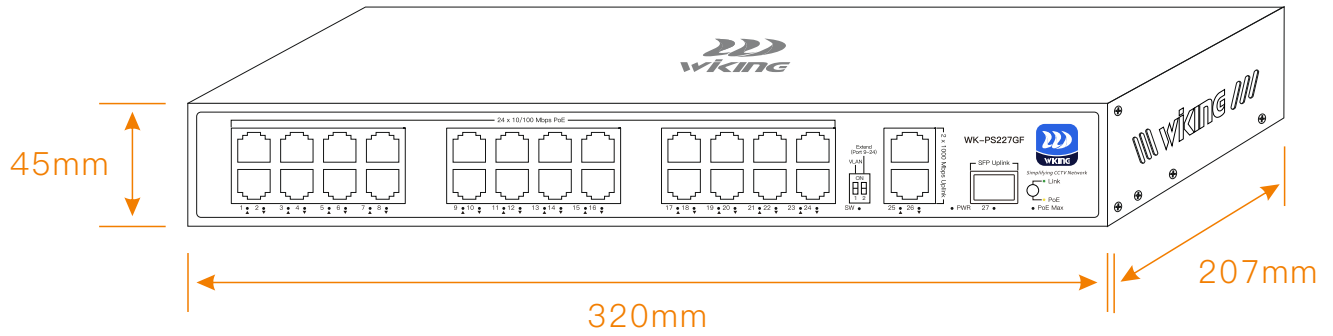


Rear Panel

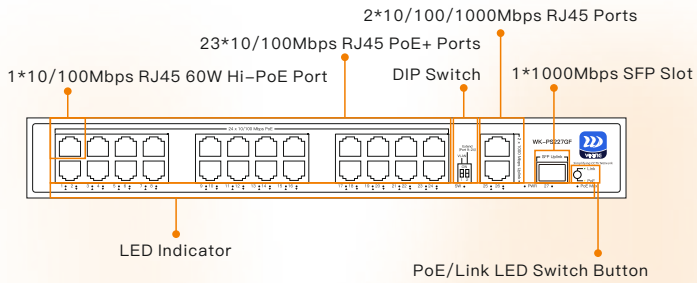


WK-PS227GF

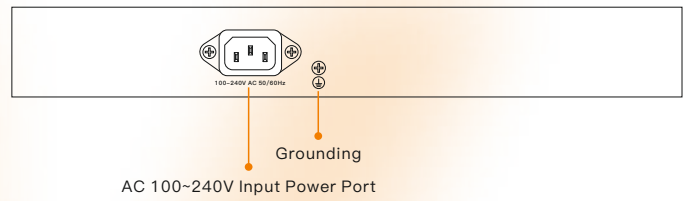
Dimensions (mm)



Front Panel



Rear Panel



Package Contents

Welcome to order our products. After purchasing, you will receive:

Items	Quantity
Switch	1 pcs
AC Power Cord	1 pcs
Quick installation Guide	1 pcs
Mounting Accessories	Hooks x 2, Screws x 8



Wireless-Tek Technology Limited

Address: Building 3, Units 1801-1807, 1812, Huaqiang Era Plaza, Tangwei Community, Fuhai Street, Bao'an District, Shenzhen City, Guangdong Province, China.

Website: www.wireless-tek.com

Tel: 86-0755-32811290

Email: sales@wireless-tek.com

Technical Support: tech@wireless-tek.com



Technical Support



Cloud Management



Company Website