

2.5G PoE Injector

WI-POE65-2.5G-30W | WI-POE65-2.5G-60W



Overview

Wi-Tek 2.5G PoE Injector complies with IEEE 802.3af/at/bt standards with up to 60W power supply. It is also equipped with two 10M/100M/1G/2.5GBASE-T RJ45 copper interfaces to handle high-speed data transfer. Suitable for use with IP cameras, and access points to increase communication distance and extend our network to places no power or sockets.

Features

Higher network speed boosts network performance

WI-POE65-2.5G-30W and WI-POE65-2.5G-60W are here to meet the higher needs of connection for networking devices such as WiFi6 AP, and surveillance PTZ camera. WI-POE65-2.5G-30W and WI-POE65-2.5G-60W are equipped with 100/1000/2500Mbps RJ-45 ports providing network speeds of up to 2.5Gbps.

Plug and Play Installation Mode, No Configuration is Required

Easy to install, simply connect the injectors to an Ethernet switch and to the IP-based PoE device to provide power and data for the network. The compact and lightweight design is easy to install and facilitates deployment of PoE devices with no power outlet requirement. Both PoE injectors have overload and short circuit protection, which shuts down the power immediately if those issues prevail, leaving no damage to your equipment.



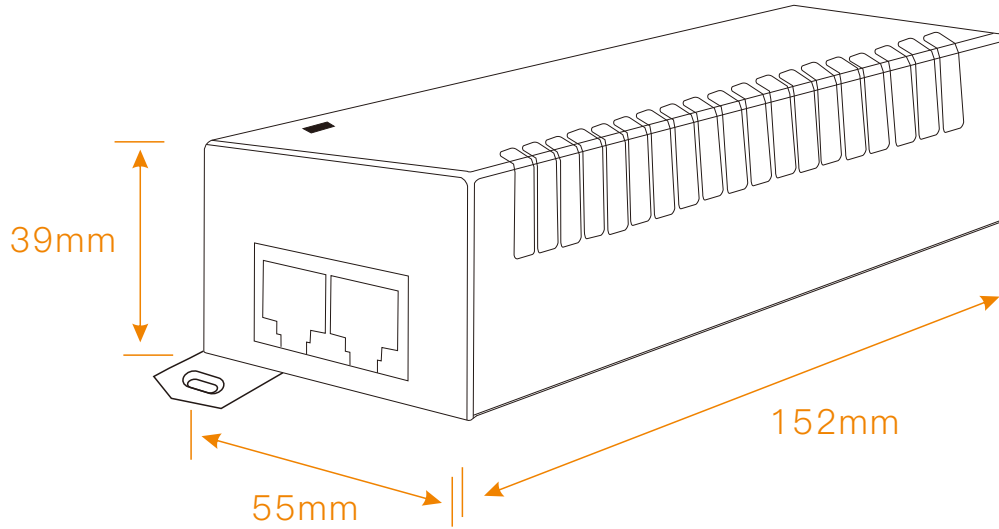
Specifications

Model		WI-POE65-2.5G-30W	WI-POE65-2.5G-60W
Hardware Specifications			
Hardware Version		V1	V1
Interfaces			
Interfaces		1 100Mbps/1000Mbps/2.5Gbps Auto-Negotiation RJ45 LAN port 1 100Mbps/1000Mbps/2.5Gbps Auto-Negotiation RJ45 PoE port	
PoE			
PoE Port		1 100Mbps/1000Mbps/2.5Gbps Auto-Negotiation PoE port	1 100Mbps/1000Mbps/2.5Gbps Auto-Negotiation PoE port
PoE Standard		802.3 af/at	802.3 af/at/bt (60W)
PoE Power Supply Type		End-span	Mid-span and End-span
PoE Pin Assignment		1/2(+), 3/6(-)	1/2(+), 3/6(-) or 4/5(+), 7/8(-)
PoE Power Budget		30W Max	60W Max
Power Supply			
Input Power		AC 100-240V 50/60Hz	
Power Consumption		Idle: 2 W	Idle: 3 W
Physical Characteristics			
LED Indicators		power On: the device power on is normal Off: the device is power off or failed	
Fan Quantity		Fanless	
Injector Dimension		165*55*38 mm	185*92*41 mm
Package Dimension		195*160*55 mm	245*190*60 mm
Weight		Net Weight: 0.17 kg	Net Weight: 0.44 kg
		Package Weight: 0.41 kg	Package Weight:0.72 kg
Installation		Wall-Mounted, Desktop	
Environmental			
Reliability	Surge Immunity	IEC 61000-4-5 Common mode 6kV Differential mode 2kV	
	ESD Protection	IEC 61000-4-2 Contact discharge 6kV	

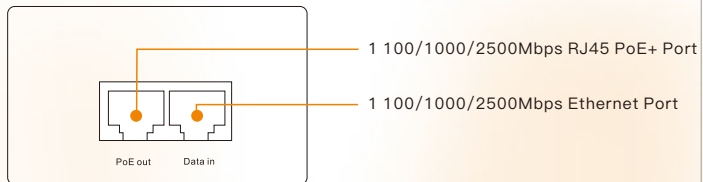
Reliability	ESD Protection	Air discharge 8kV
Operating Temperature		0°C to 40°C(32°F to 104°F)
Operating Humidity		10% ~ 90% RH no condensation
Storage Temperature		-40°C to 75°C(-40°F to 167°F)
Storage Humidity		5% ~ 95% RH no condensation
Others		
Certification		CE, FCC, RoHS, UKCA, RCM

WI-POE65-2.5G-30W

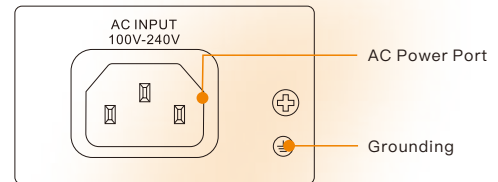
Dimensions (mm)



Front Panel

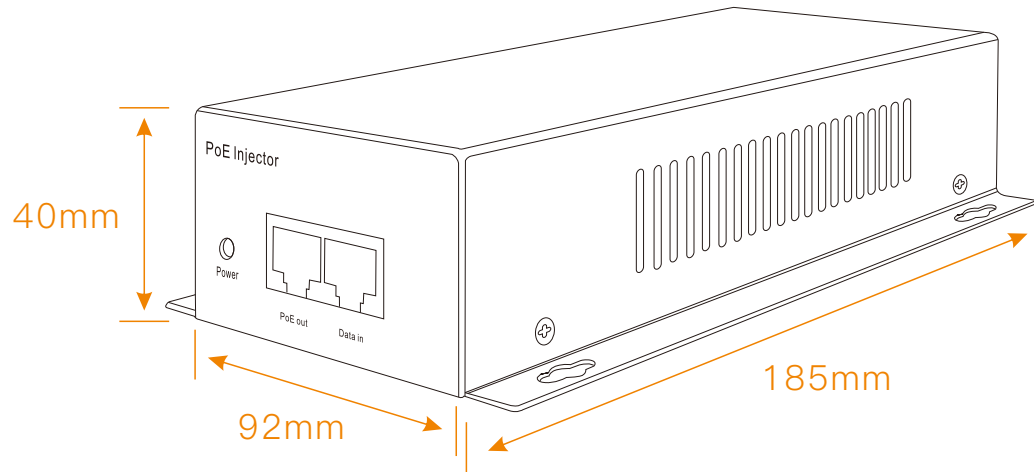


Side Panel

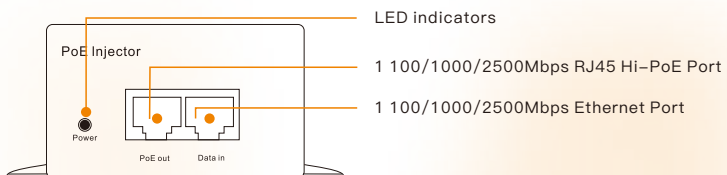


WI-POE65-2.5G-60W

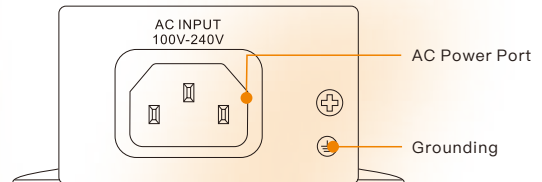
Dimensions (mm)



Front Panel



Side Panel



Package Contents

Welcome to order our products. After purchasing, you will receive:

Items	Quantity
PoE Injector	1 pcs
Power cord	1 pcs
Quick Installation Guide	1 pcs



Wireless-Tek Technology Limited

Address: Biaofan Technology Building 402, Bao'an street,
Baoan District, Shenzhen City, Guangdong, China

Website: www.wireless-tek.com

Tel: 86-0755-32811290

Email: sales@wireless-tek.com

Technical Support: tech@wireless-tek.com



Technical Support



Cloud Management



Company Website