

# Hardened Cloud Easy Smart SC Fiber Switch

WK-PCES306-1A1B-H | WK-PCES310-1A1B-H



## Overview

The WIKING Hardened Cloud Easy Smart SC Fiber Switch offers 4/8 \* 1000Mbps PoE ports with 2 \* 1.25 Gigabit SC/UPC Ports, providing flexible and high-performance full-gigabit access ports and uplink Fiber ports. It also has both A and B optical ports, which not only facilitates pairing with the opposite end but also enables the formation of a cascading topology. Compared with conventional single-port optical transceivers, it offers greater flexibility in use.

The switch provides Simple, safe, and easy-to-use local WEB and remote management methods, supports smart deployment, abnormal alarm, ONVIF automatic identification of network cameras, automatic shutdown of loop ports, etc. The WIKING Hardened Cloud Easy Smart SC Fiber Switch is ideal for CCTV network solutions and projects of harsh application scenarios such as factory and park.

## Features

### Support PoE output up to 60W

Specific PoE ports can deliver up to 60W Hi-PoE output, providing robust power support for high-demand devices.

### Built-in SC/UPC connector and 20km fiber transmission

Featuring a built-in SC/UPC connector and up to 20km fiber transmission, No additional optical modules need to be purchased, reducing equipment costs while maximizing deployment flexibility. It provides a highly affordable 100-channel, 8MP CCTV cloud management system solution.

### Support Wi-Tek cloud remote management

ONVIF cameras and Wi-Tek cloud management devices can be remotely managed through the Wi-Tek cloud platform/mobile APP, making CCTV network projects truly intelligent and easy to maintain. You can easily access and manage your cameras from your phone or computer anytime, anywhere.

(Note: The EWEB channel can be created only when the easy smart switch is linked with the other type of Wi-Tek cloud management device, such as cloud L2, L3 management switch, gateway, wireless AP, etc.)

## **ONVIF-based IPC Detection and Automatic Topology Mapping**

Effortlessly discover ONVIF IPCs and visualize their connections under the switch via the cloud platform, enabling intuitive network management and faster deployment.

## **-30~65°C Operating Temperature**

-30~65°C working temperature design, makes it meet the requirement of harsh application environment.

## **Automatic Loop Prevention**

By default, the switch enables port loop detection. When a loop occurs on the switch, the port which caused the loop will be closed in time to enable the switch to operate properly and maintain service continuity.

## **Intelligent Operation and Maintenance**

Abnormal alarm can help you locate problems quickly, making your operation and maintenance easier.

# Specifications



Model	WK-PCES306-1A1B-H	WK-PCES310-1A1B-H
Hardware Specifications		
Interfaces		
Downlink Ports	4 * 10/100/1000Mbps RJ45 Ports	8 * 10/100/1000Mbps RJ45 Ports
Uplink Ports	1 * 1.25Gbps SC/UPC A Port 1 * 1.25Gbps SC/UPC B Port	1 * 1.25Gbps SC/UPC A Port 1 * 1.25Gbps SC/UPC B Port
SC/UPC Features	Working Wavelength: A: TX1310nm, RX1550nm B: TX1550nm, RX1310nm	
	Average transmitted optical power: -9~0dBm	
	Receiving sensitivity: -27dBm	
	Transmission distance: 20km	
PoE		
PoE Port	Port 1-4	Port 1-8
PoE Standard	Port 1: Hi-PoE 60W Port 2-4: 802.3af/at 30W	Port 1-2: Hi-PoE 60W Port 3-8: 802.3af/at 30W
PoE Pin Assignment	Hi-PoE(60W): 1/2(+), 3/6(-), 4/5(+), 7/8(-) 802.3af/at PoE: 1/2(+), 3/6(-)	
PoE Power	60W Max. for port 1 30W Max. for port 2-4 60W Max. for PoE power budget	60W Max. for port 1-2 30W Max. For port 3-8 110W Max. for PoE power budget
Performance		
Flash	4MB	
Switch Property		
Standards and Protocols	IEEE802.3, IEEE802.3u, IEEE802.3ab, IEEE802.3z, IEEE802.1q, IEEE802.3af, IEEE802.3at, IEEE802.3ad	

Note: The PoE power budget calculation is based on laboratory testing. The actual PoE power budget is not guaranteed and may vary due to power supply, client limitations, and environmental factors.

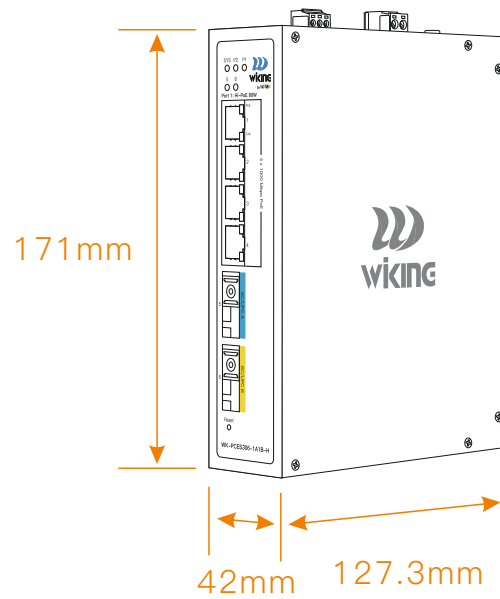
Model	WK-PCES306-1A1B-H	WK-PCES310-1A1B-H
Forwarding Mode	Store and Forward	
Switching Capacity	12Gbps	20Gbps
Packet Forwarding Rate	8.93Mpps	14.88Mpps
MAC Address Table	2K	8K
Packet Buffer Memory	16KB	64KB
Jumbo Frame	9K	
<b>Power Supply</b>		
Input Power	PWR1/2: Non-PoE: 12-57V PoE: 44-57V	
Power Consumption	Idle: 2.1W 100% Traffic Rate with PoE: 62.1W	Idle: 2.5W 100% Traffic Rate with PoE: 112.5W
Power Adapter	DC 52V 1.25A 65W max.	DC 52V 2.3A 120W max.
	Operating Temperature: 0°C to 40°C	
<b>Physical Characteristics</b>		
LED Indicators	<p><b>P1/P2(Green):</b> Solid On: The device power on is normal Off: The device is power off or failed</p> <p><b>SYS (Green):</b> Blinking: The system is working normally Solid On/Off: The system is being started or abnormal</p> <p><b>PoE (Orange):</b> Solid On: There is a PoE PD connected to be port, which supply power successfully Off: No PoE powered device (PD) connected</p> <p><b>Link (Green):</b> Solid On: Port connected Off: Port disconnected Blinking: Data transmission</p> <p><b>SC/UPC Indicator</b> Solid on: Port connected Blinking: Data transmission Off: Port disconnected</p>	
Switch Dimension(W*D*H)	171*127.3*42mm	171*127.3*42mm
Package Dimension(W*D*H)	212*249*71mm	212*249*71mm
Weight	Net Weight: 0.6kg	Net Weight: 0.7kg
	Package Weight: 1.1kg	Package Weight: 1.3kg
Installation	DIN-rail, Wall-mount and Desktop	

Model		WK-PCES306-1A1B-H	WK-PCES310-1A1B-H
Button			
Reset		Hold for >5 sec. to restore factory default	
Fan Quantity		Fanless	
Environmental			
Reliability	Surge Immunity	IEC 61000-4-5 Common mode: ±4kV Differential mode: ±2kV	
	ESD Protection	IEC 61000-4-2 Contact discharge: ±8kV Air discharge: ±15kV	
Operating Temperature		-30°C to 65°C(-22°F to 149°F)	
Operating Humidity		10%~90% RH no condensation	
Storage Temperature		-40°C to 70°C(-40°F to 158°F)	
Storage Humidity		10%~90% RH no condensation	
Certification			
Certification		CE, FCC, RoHS, UKCA, RCM	

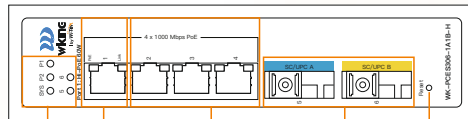
Model	WK-PCES306-1A1B-H	WK-PCES310-1A1B-H
Software Features		
System Settings	Device Info	
	IP Settings	
	User Management	
	Firmware Upgrade	
	Configuration Backup	
	Reset	
	Save Configuration	
	Reboot	
	Temperature Sensor Data	
Switch Settings	Port Settings	
	Port Statistics	
	Storm Control	
	Port Mirroring	
	Port Isolation	
	Port Bandwidth Control	
	Link Aggregation	
	Loopback Detection	
	MAC Search	
	Static/Filter MAC	
	MAC Table	
VLAN Settings	Port-based VLAN	
	VLAN Range: 1-4094 (Only 8 VLANs can be configured at the same time)	
PoE Settings	PoE port disable	
	PoE Watchdog	
	Extend PoE	
	Port PoE Reboot	
ONVIF	Onvif Detect	
Cloud Settings	MQTT Client	
	Wi-Tek Devices Discovery Table	

WK-PCES306-1A1B-H

Dimensions (mm)



Front Panel

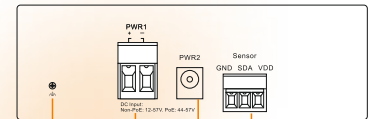


LED Indicators

- 1 \* 10/100/1000Mbps 60W Hi-PoE Port
- 3 \* 10/100/1000Mbps 802.3af/at 30W PoE+ Ports
- 2 \* 1.25Gbps SC/UPC A/B Ports  
(A: TX1310nm, RX1550nm B: TX1550nm, RX1310nm)

Reset Button

Rear Panel

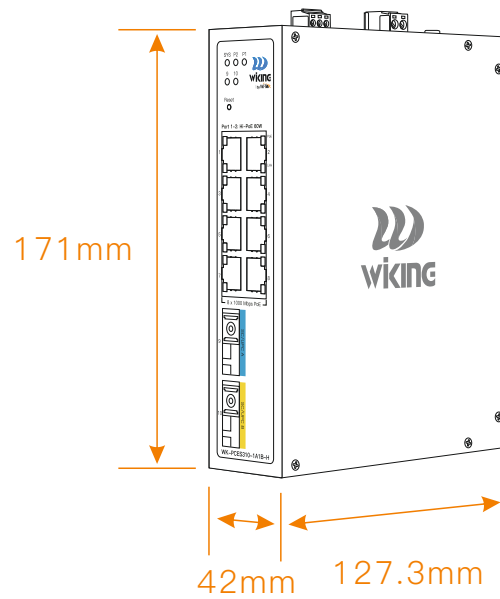


Grounding

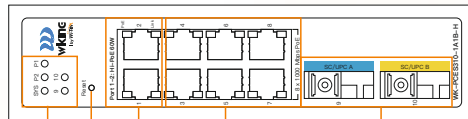
- DC 44-57V PoE Power1 Input
- DC 44-57V PoE Power2 Input(Power Adapter Included )
- Sensor Input(Sensor Not Included)

WK-PCES310-1A1B-H

Dimensions (mm)

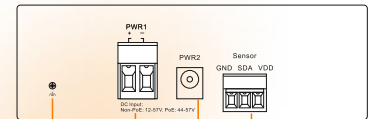


Front Panel



- LED Indicators
- Reset Button
- 2 \* 10/100/1000Mbps 60W Hi-PoE Ports
- 6 \* 10/100/1000Mbps 802.3af/at 30W PoE+ Ports
- 2 \* 1.25Gbps SC/UPC A/B Ports  
(A: TX1310nm, RX1550nm B: TX1550nm, RX1310nm)

Rear Panel



- Grounding
- DC 44-57V PoE Power1 Input
- DC 44-57V PoE Power2 Input(Power Adapter Included )
- Sensor Input(Sensor Not Included)

## Package Contents

Welcome to order our products. After purchasing, you will receive:

Items	Quantity
Switch	1 pcs
DIN–Rail Mounting Accessory	1 set
Quick Installation Guide	1 pcs
Power Adapter	1 pcs
Power cord	1 pcs
Phoenix Terminal	1 set



Wireless–Tek Technology Limited

Address: Building 3, Units 1801–1807, 1812, Huaqiang Era Plaza, Tangwei Community, Fuhai Street, Bao’an District, Shenzhen City, Guangdong Province, China.

Website: [www.wireless–tek.com](http://www.wireless–tek.com)

Tel: 86–0755–32811290

Email: [sales@wireless–tek.com](mailto:sales@wireless–tek.com)

Technical Support: [tech@wireless–tek.com](mailto:tech@wireless–tek.com)



Technical Support



Cloud Management



Company Website