

## Datasheet

# 100Mbps PoE Switch

WK-PS206 | WK-PS210  
Hardware Version:V2



## Overview

100Mbps PoE series switch offers 4/8 100Mbps PoE ports and 2 Uplink Ethernet ports, which provides an affordable PoE solution, empowering your CCTV network and other IP-based devices up to 250m away, to break free from traditional PoE distance limitations. Support for enabling VLAN, Extend, and PD Alive functions through smart DIP switches provides much value to basic networking requirements. You are creating a multi-functional and reliable CCTV network solution.

## Features

### PoE 250m Long Distance to Extend Network

DIP switch provides Extend Mode. All PoE ports can transmit data and power up to 250 meters. No further hardware or configuration is necessary, easy-to-use, and cost-saving. Perfect for surveillance camera deployment in large areas.

### Smart PoE Watchdog to Detect and Reboot Offline PD Device

All PoE ports enable PD Alive function, which can detect and reboot the offline compliant PoE powered devices.

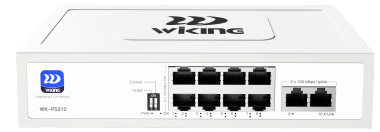
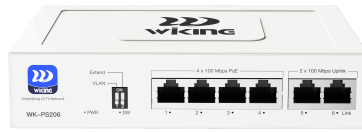
### Port Isolation to Prevent Broadcast Storm

With VLAN Mode, all PoE ports can only communicate with uplink ports. Avoid data leakage between each port and prevent broadcast storms from disabling the network.

### Fanless Design

Fanless design, to provide you with a quiet working environment, suitable for office, hotel and other application scenarios.

# Specifications



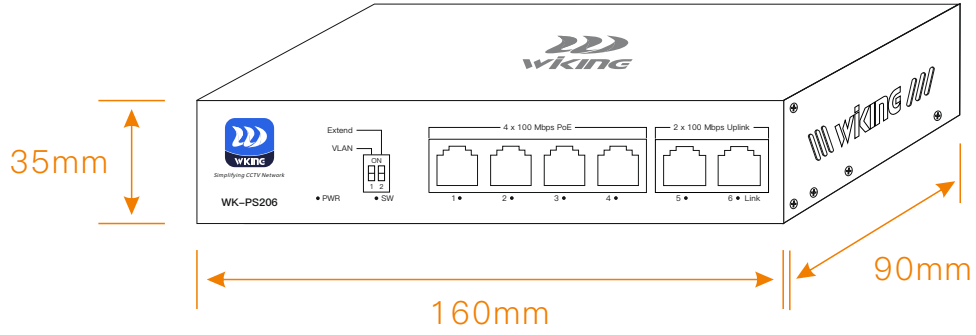
| Model                   | WK-PS206  | WK-PS210                    |
|-------------------------|---|-----------------------------|
| Hardware Version        | V2  |                             |
| Hardware Specifications |   |                             |
| <b>Interfaces</b>       |   |                             |
| Downlink Ports          | 4*10/100Mbps RJ45 PoE Ports   | 8*10/100Mbps RJ45 PoE Ports |
| Uplink Ports            | 2*10/100Mbps RJ45 Ports   | 2*10/100Mbps RJ45 Ports     |
| <b>PoE</b>              |   |                             |
| PoE                     | Port 1-4: AF/AT MCU PSE 30W   | Port 1-8: AF/AT MCU PSE 30W |
| PoE Output              | 30W   |                             |
| PoE Pin Assignment      | 1/2(+), 3/6(-)  |                             |
| PoE Power Budget        | 45W   | 76W                         |
| <b>Switch Property</b>  |   |                             |
| Standards and Protocols | IEEE 802.3i<br>IEEE 802.3u<br>IEEE 802.3x<br>Compatible with IEEE 802.3af<br>Compatible with IEEE 802.3at |                             |
| Forwarding Mode         | Store and Forward   |                             |
| Switching Capacity      | 1.2Gbps   | 2Gbps                       |
| Packet Forwarding Rate  | 0.89Mpps  | 1.49Mpps                    |
| MAC Address Table       | 2k  | 2k                          |
| Packet Buffer Memory    | 768Kbit   |                             |
| Jumbo Frame             | 15KB  |                             |

| Model                    | WK-PS206   | WK-PS210                                     |
|--------------------------|--|--|
| Power Supply             |  |  |
| Input Power              | 100~240V AC 50/60 Hz   |  |
| Power Consumption        | Idle: 10W<br>100% Traffic Rate with PoE: 55W   | Idle: 14W<br>100% Traffic Rate with PoE: 90W |
| Physical Characteristics |  |  |
| LED Indicators           | <p><b>PWR</b><br/>Solid on: The system power supply is normal<br/>Off: The system power supply is abnormal</p> <p><b>Link</b><br/>Solid on: A link has been established on the interface<br/>Blinking: Data is being transmitted or received on the interface<br/>Off: No link is established on the interface</p> <p><b>SW</b><br/>Solid on: VLAN mode, Extend mode and PD Alive mode enabled<br/>Blinking: Extend mode(or VLAN mode) and PD Alive mode enabled<br/>Off: Default disable VLAN mode, Extend mode and PD Alive mode</p> |  |
| Fan Quantity             | Fanless  |  |
| Switch Dimensions        | 160*90*35mm  | 200*118*44mm                                 |
| Package Dimensions       | 245*190*60mm   | 245*190*60mm                                 |
| Weight                   | Net Weight: 0.41kg   | Net Weight: 0.61kg                           |
|                          | Package Weight: 0.47kg   | Package Weight: 0.89kg                       |
| Material                 | Iron   |  |
| Installation             | Desktop, Wall-mount  |  |

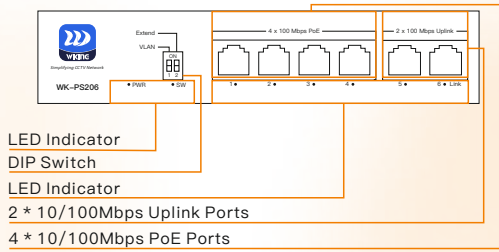
| Model                 |                | WK-PS206   | WK-PS210 |
|-----------------------|----------------|--|----------|
| Button                |                |  |          |
| DIP Switch            |                | <p><b>VLAN</b><br/>Enable VLAN and PD Alive mode. All downlink ports are isolated but can communicate with uplink ports. All PoE ports enable the PD Alive mode to detect and reboot the offline-compliant PoE-powered devices.</p> <p><b>Extend</b><br/>Enable Extend and PD Alive mode. The transmission distance of the port can be up to 250m, but the rate is limited to 10Mbps. All PoE ports enable the PD Alive mode to detect and reboot the offline-compliant PoE-powered devices.</p> |          |
| Environmental         |                |  |          |
| Reliability           | Surge Immunity | IEC 61000-4-5<br>Common mode $\pm 4\text{kV}$<br>Differential mode $\pm 2\text{kV}$  |          |
|                       | ESD Protection | IEC 61000-4-2<br>Contact discharge $\pm 6\text{kV}$<br>Air discharge $\pm 8\text{kV}$  |          |
| Operating Environment |                | 0°C to 40°C(14°F to 131°F); 10%~90% RH no condensation   |          |
| Storage Environment   |                | -40°C to 70°C(-40°F to 158°F); 5%~90% RH no condensation   |          |
| Others                |                |  |          |
| Certification         |                | CE, FCC, RoHS, UKCA, RCM   |          |

WK-PS206

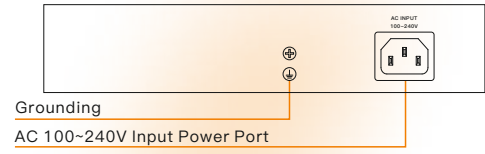
Dimensions (mm)



Front Panel

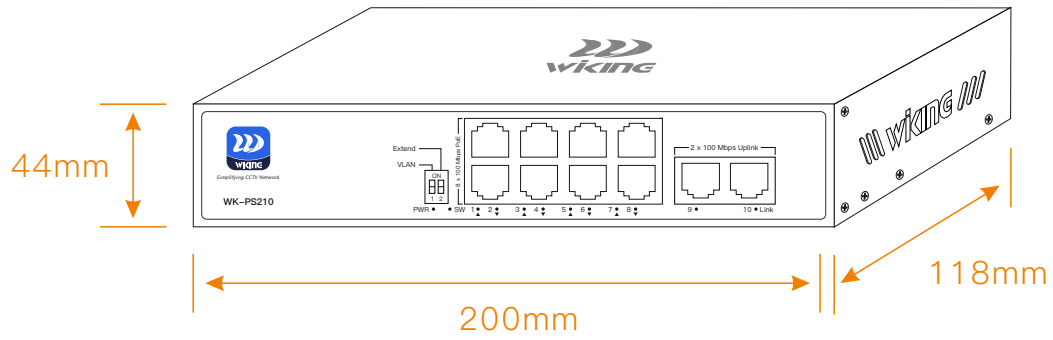


Rear Panel



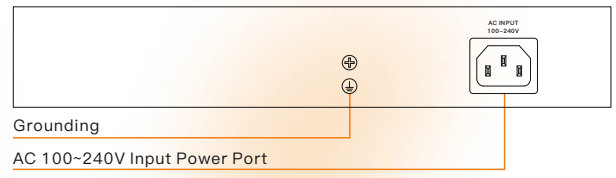
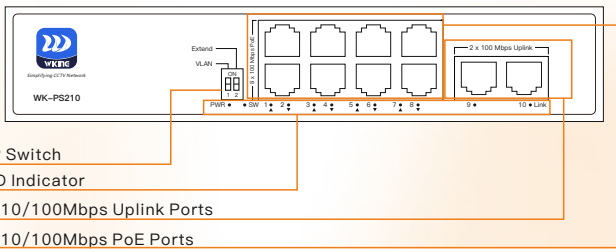
WK-PS210

Dimensions (mm)



Front Panel

Rear Panel



## Package Contents

Welcome to order our products. After purchasing, you will receive:

| Items                    | Quantity |
|--------------------------|----------|
| Switch                   | 1 pcs    |
| AC Power Cord            | 1 pcs    |
| Quick Installation Guide | 1 pcs    |



Wireless-Tek Technology Limited

Address: Building 3, Units 1801-1807, 1812, Huaqiang Era Plaza, Tangwei Community, Fuhai Street, Bao'an District, Shenzhen City, Guangdong Province, China.

Website: [www.wireless-tek.com](http://www.wireless-tek.com)

Tel: 86-0755-32811290

Email: [sales@wireless-tek.com](mailto:sales@wireless-tek.com)

Technical Support: [tech@wireless-tek.com](mailto:tech@wireless-tek.com)



Technical Support



Cloud Management



Company Website