

teletronik[®]

30 years in cable communication...

CATV CABLES, CONNECTORS & TOOLS



www.teletronik.com

RG59-T60-HCU
coax cable



Tri-shield construction

- 20 gauge (0,81 mm) copper center conductor
- Foamed PE, bounded foil, 60% braid, non-bounded tape, PVC jacket
- Gas expanded polyethylene dielectric
- Aluminium-polypropylene-aluminium laminated tape inner shield with overlap bounded to dielectric
- 34 AWG bare aluminium braid wire outer shield
- White polyvinylchloride jacket

Electrical characteristics

Nominal impedance	75 Ω
Nominal velocity of propagation	85 %
Shielding effectiveness	> 100 dB

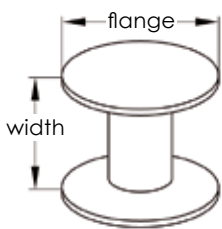
Physical Dimensions

component	∅ (mm)
Nominal center conductor diameter	0,81
Nominal diameter over dielectric	3,66
Nominal diameter over first shield (tape)	3,84
Nominal diameter over jacket	6,10
Nominal jacket wall thickness	0,76

Attenuation (@ 20°C)

frequency (MHz)	max. loss (dB/100m)
5	2,82
55	6,73
83	8,04
187	11,81
211	12,47
250	13,45
300	14,60
350	15,75
400	16,73
450	17,72
500	18,70
550	19,52
600	20,34
750	22,87
865	24,67
1000	26,64

Reel parameters



width: 215 mm
 flange: 330 mm
 weight: 11 kg
 cable length: 305 m

RG6-T60-HCU-E

coax cable



Tri-shield construction

- 18 gauge (1,02 mm) copper center conductor
- Foamed PE, bounded foil, 60% braid, non-bonded tape, PVC jacket
- Gas expanded polyethylene dielectric
- Aluminium-polypropylene-aluminium laminated tape inner shield with overlap bounded to dielectric
- 34 AWG bare aluminium braid wire outer shield
- Black polyvinylchloride jacket

Electrical characteristics

Nominal impedance	75 Ω
Nominal velocity of propagation	85 %
Shielding effectiveness	> 100 dB

Physical Dimensions

component	∅ (mm)
Nominal center conductor diameter	1,02
Nominal diameter over dielectric	4,57
Nominal diameter over first shield (tape)	4,75
Nominal diameter over jacket	7,06
Nominal jacket wall thickness	0,76

Attenuation (@ 20°C)

frequency (MHz)	max. loss (dB/100m)
5	1,90
55	5,25
83	6,40
187	9,35
211	10,00
250	10,82
300	11,64
350	12,63
400	13,61
450	14,43
500	15,09
550	16,08
600	16,73
750	18,54
865	20,01
1000	21,49

Reel parameters

	<p>width: 270 mm</p> <p>flange: 280 mm</p> <p>weight: 12,5 kg</p> <p>cable length: 305 m</p> <p>(2 reels / package)</p>
--	---

RG6-T60-CCS
coax cable



Tri-shield construction

- 18 gauge (1,02 mm) copper covered steel center conductor
- Foamed PE, bounded foil, 60% braid, non-bonded tape, PVC jacket
- Gas expanded polyethylene dielectric
- Aluminium-polypropylene-aluminium laminated tape inner shield with overlap bounded to dielectric
- 34 AWG bare aluminium braid wire outer shield
- White polyvinylchloride jacket

Electrical characteristics

Nominal impedance	75 Ω
Nominal velocity of propagation	85 %
Shielding effectiveness	> 100 dB

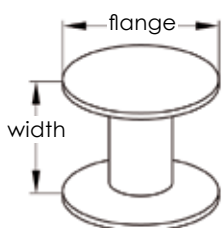
Physical Dimensions

component	∅ (mm)
Nominal center conductor diameter	1,02
Nominal diameter over dielectric	4,57
Nominal diameter over first shield (tape)	4,75
Nominal diameter over jacket	7,06
Nominal jacket wall thickness	0,76

Attenuation (@ 20°C)

frequency (MHz)	max. loss (dB/100m)
5	1,90
55	5,25
83	6,40
187	9,35
211	10,00
250	10,82
300	11,64
350	12,63
400	13,61
450	14,43
500	15,09
550	16,08
600	16,73
750	18,54
865	20,01
1000	21,49

Reel parameters



width: 260 mm
 flange: 310 mm
 weight: 15 kg

 cable length: 305 m

RG6-T60-M-CCS coax cable



Tri-shield, messengered construction

- 18 gauge (1,02 mm) copper covered steel center conductor
- Foamed PE, bounded foil, 60% braid, non-bonded tape, PVC jacket, steel messenger
- Gas expanded polyethylene dielectric
- Aluminium-polypropylene-aluminium laminated tape inner shield with overlap bounded to dielectric
- 34 AWG bare aluminium braid wire outer shield
- Black polyvinylchloride jacket
- Minimum breaking strength of messenger 82 kg, @1,30 mm

Electrical characteristics

Nominal impedance	75 Ω
Nominal velocity of propagation	85 %
Shielding effectiveness	> 100 dB

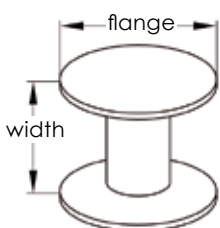
Physical Dimensions

component	∅ (mm)
Nominal center conductor diameter	1,02
Nominal diameter over dielectric	4,57
Nominal diameter over first shield (tape)	4,75
Nominal diameter over jacket	7,06
Nominal jacket wall thickness	0,76
Nominal diameter of steel messenger	1,30

Attenuation (@ 20°C)

frequency (MHz)	max. loss (dB/100m)
5	1,90
55	5,25
83	6,40
187	9,35
211	10,00
250	10,82
300	11,64
350	12,63
400	13,61
450	14,43
500	15,09
550	16,08
600	16,73
750	18,54
865	20,01
1000	21,49

Reel parameters



width: 295 mm
 flange: 340 mm
 weight: 21 kg
 cable length: 305 m

RG6-T60M-CU

coax cable



Tri-shield, messengered construction

18 gauge (1.02 mm) copper covered steel center conductor
 Foamed PE, bounded foil, 60% braid, non-bonded tape, PVC jacket, steel messenger

Gas expanded polyethylene dielectric

Aluminium-polypropylene-aluminium laminated tape inner shield with overlap bounded to dielectric

34 AWG bare aluminium braid wire outer shield

Black polyvinylchloride jacket

Minimum breaking strength of messenger 82 kgf @1,30 mm

Electrical characteristics

Nominal impedance	75 Ω
Shielding effectiveness	> 100 dB

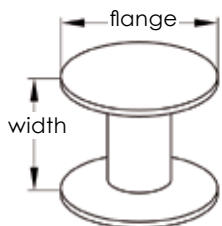
Physical Dimensions

component	∅ (mm)
Nominal center conductor diameter	1,02
Nominal diameter over dielectric	4,57
Nominal diameter over first shield (tape)	4,75
Nominal diameter over jacket	7,06
Nominal jacket wall thickness	0,76
Nominal diameter of steel messenger	1,30

Attenuation (@ 20°C)

frequency (MHz)	max. loss (dB/100m)
5	1,90
55	5,25
83	6,40
187	9,35
211	10,00
250	10,82
300	11,64
350	12,63
400	13,61
450	14,43
500	15,09
550	16,08
600	16,73
750	18,54
865	20,01
1000	21,49

Reel parameters



width: 290 mm
 flange: 430 mm
 weight: 22 kg
 cable length: 305 m

RG6-Q60 coax cable



Quad-shield construction

- 18 gauge (1,02 mm) copper center conductor
- Foamed PE, bounded foil, 60% braid, non-bounded tape, 32% braid, PVC jacket
- Gas expanded polyethylene dielectric
- Aluminium-polypropylene-aluminium laminated tape inner shield with overlap bounded to dielectric
- 34 AWG bare aluminium braid wire outer shield
- White polyvinylchloride jacket

Electrical characteristics

Nominal impedance	75 Ω
Nominal velocity of propagation	85 %
Shielding effectiveness	> 100 dB

Physical Dimensions

component	∅ (mm)
Nominal center conductor diameter	1,02
Nominal diameter over dielectric	4,57
Nominal diameter over first shield (tape)	4,75
Nominal diameter over jacket	7,62
Nominal jacket wall thickness	0,86

Attenuation (@ 20°C)

frequency (MHz)	max. loss (dB/100m)
5	1,90
55	5,25
83	6,40
187	9,35
211	10,00
250	10,82
300	11,64
350	12,63
400	13,61
450	14,43
500	15,09
550	16,08
600	16,73
750	18,54
865	20,01
1000	21,49

Reel parameters

	<p>width: 245 mm</p> <p>flange: 330 mm</p> <p>weight: 12 kg</p> <p>cable length: 200 m</p>
--	--

RG11-T60-HCU

coax cable



Tri-shield construction

- 14 gauge (1,63 mm) copper center conductor
- Foamed PE, bounded foil, 60% braid, non-bounded tape, PVC jacket
- Gas expanded polyethylene dielectric
- Aluminium-polypropylene-aluminium laminated tape inner shield with overlap bounded to dielectric
- 34 AWG bare aluminium braid wire outer shield
- Black polyvinylchloride jacket

Electrical characteristics

Nominal impedance	75 Ω
Nominal velocity of propagation	85 %
Shielding effectiveness	> 100 dB

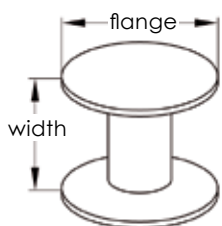
Physical Dimensions

component	∅ (mm)
Nominal center conductor diameter	1,63
Nominal diameter over dielectric	7,11
Nominal diameter over first shield (tape)	7,29
Nominal diameter over jacket	10,03
Nominal jacket wall thickness	0,99

Attenuation (@ 20°C)

frequency (MHz)	max. loss (dB/100m)
5	1,25
55	3,15
83	3,87
187	5,74
211	6,23
250	6,72
300	7,38
350	7,94
400	8,53
450	9,02
500	9,51
550	9,97
600	10,43
750	11,97
865	13,05
1000	14,27

Reel parameters



width: 360 mm
 flange: 400 mm
 weight: 35 kg

 cable length: 305 m

RG11-T60-CCS coax cable



Tri-shield construction

- 14 gauge (1,63 mm) copper covered steel center conductor
- Foamed PE, bounded foil, 60% braid, non-bounded tape, PVC jacket
- Gas expanded polyethylene dielectric
- Aluminium-polypropylene-aluminium laminated tape inner shield with overlap bounded to dielectric
- 34 AWG bare aluminium braid wire outer shield
- Black polyvinylchloride jacket

Electrical characteristics

Nominal impedance	75 Ω
Nominal velocity of propagation	85 %
Shielding effectiveness	> 100 dB

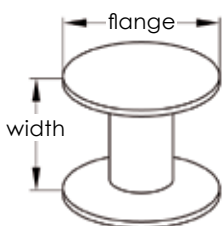
Physical Dimensions

component	∅ (mm)
Nominal center conductor diameter	1,63
Nominal diameter over dielectric	7,11
Nominal diameter over first shield (tape)	7,29
Nominal diameter over jacket	10,03
Nominal jacket wall thickness	0,99

Attenuation (@ 20°C)

frequency (MHz)	max. loss (dB/100m)
5	1,25
55	3,15
83	3,87
187	5,74
211	6,23
250	6,72
300	7,38
350	7,94
400	8,53
450	9,02
500	9,51
550	9,97
600	10,43
750	11,97
865	13,05
1000	14,27

Reel parameters



width: 365 mm
 flange: 370 mm
 weight: 35 kg

 cable length: 305 m

RG11-T60-M-CCS
coax cable



Tri-shield, messengered construction

- 14 gauge (1,63 mm) copper covered steel center conductor
- Foamed PE, bounded foil, 60% braid, non-bounded tape, PVC jacket, steel messenger
- Gas expanded polyethylene dielectric
- Aluminium-polypropylene-aluminium laminated tape inner shield with overlap bounded to dielectric
- 34 AWG bare aluminium braid wire outer shield
- Black polyvinylchloride jacket
- Minimum breaking strength of messenger 166 kg_f @1,83 mm

Electrical characteristics

Nominal impedance	75 Ω
Nominal velocity of propagation	85 %
Shielding effectiveness	> 100 dB

Physical Dimensions

component	∅ (mm)
Nominal center conductor diameter	1,63
Nominal diameter over dielectric	7,11
Nominal diameter over first shield (tape)	7,29
Nominal diameter over jacket	10,03
Nominal jacket wall thickness	0,99
Nominal diameter of steel messenger	1,83

Attenuation (@ 20°C)

frequency (MHz)	max. loss (dB/100m)
5	1,25
55	3,15
83	3,87
187	5,74
211	6,23
250	6,72
300	7,38
350	7,94
400	8,53
450	9,02
500	9,51
550	9,97
600	10,43
750	11,97
865	13,05
1000	14,27

Reel parameters

	width: 360 mm
	flange: 440 mm
	weight: 41 kg
	cable length: 305 m

RG11-T60-M-CU

coax cable



Tri-shield, messengered construction

- 14 gauge (1,63 mm) copper covered steel center conductor
- Foamed PE, bounded foil, 60% braid, non-bounded tape, PVC jacket, steel messenger
- Gas expanded polyethylene dielectric
- Aluminium-polypropylene-aluminium laminated tape inner shield with overlap bounded to dielectric
- 34 AWG bare aluminium braid wire outer shield
- Black polyvinylchloride jacket
- Minimum breaking strength of messenger 166 kg_f @1,83 mm

Electrical characteristics

Nominal impedance	75 Ω
Nominal velocity of propagation	82 %
Shielding effectiveness	> 100 dB

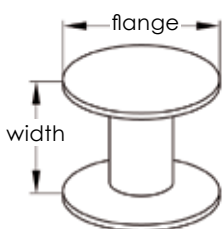
Physical Dimensions

component	∅ (mm)
Nominal center conductor diameter	1,63
Nominal diameter over dielectric	7,11
Nominal diameter over first shield (tape)	7,29
Nominal diameter over jacket	10.16±0.2
Nominal jacket wall thickness	0.8±0.15
Nominal diameter of steel messenger	1,83

Attenuation (@ 20°C)

frequency (MHz)	max. loss (dB/100m)
5	1,25
55	3,20
83	3,87
187	5,74
211	6,23
250	6,72
300	7,38
350	7,90
400	8,53
450	9,02
500	9,51
550	9,97
600	10,43
750	11,97
865	13,05
1000	14,27

Reel parameters



width: 360 mm
 flange: 440 mm
 weight: 41 kg

 cable length: 305 m

TC500-F-CCA
coax cable



Standard, flooded construction

- 2,77 mm copper clad aluminium center conductor
- Gas expanded polyethylene dielectric
- Continuous aluminium outer conductor
- Flame retardant polyethylene (PE) jacket
- Flooded for underground

Mechanical characteristics

Min. bending radius (jacketed)	152 mm
Max. pulling tension	136 kg _f

Electrical characteristics

Capacitance	50 ± 3.0 nf/km
Impedance	75 ± 2 Ω
Velocity of propagation	> 87%
Shielding effectiveness	> 100 dB

Mechanical D.C. Resistance (@ 20°C)

Inner conductor	4,40 Ω / km
Outer conductor	1,24 Ω / km
Loop	5,64 Ω / km

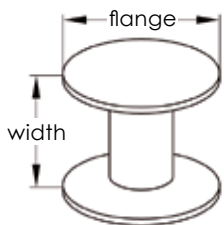
Attenuation (@ 20°C)

frequency (MHz)	max. loss (dB/100m)
5	0,52
30	1,31
45	1,61
50	1,71
55	1,77
83	2,17
108	2,46
150	2,95
181	3,28
193	3,38
211	3,58
220	3,64
250	3,94
270	4,07
300	4,30
325	4,49
350	4,69
375	4,82
400	5,02
425	5,15
450	5,35
500	5,67
550	5,97
600	6,27
750	7,09
865	7,68
1000	8,27

Physical Dimensions

component	∅ (mm)
Nominal center conductor diameter	2,77
Nominal diameter over dielectric	11,43
Nominal diameter over outer conductor	12,70
Nominal outer conductor thickness	0,64
Nominal diameter over jacket	14,22
Nominal jacket wall thickness	0,76

Reel parameters



width: 700 mm

flange: 1100 mm

cable length: 900-1300 m

TC540-CCA coax cable



Standard construction

- 3,15 mm copper clad aluminium center conductor
- Gas expanded polyethylene dielectric
- Continuous aluminium outer conductor
- Flame retardant polyethylene (PE) jacket

Mechanical characteristics

Min. bending radius (jacketed)	102 mm
Max. pulling tension	100 kg _f

Electrical characteristics

Capacitance	50 ± 3.0 nf/km
Impedance	75 ± 2 Ω
Velocity of propagation	> 87%
Shielding effectiveness	> 100 dB

Mechanical D.C. Resistance (@ 20°C)

Inner conductor	3,34 Ω / km
Outer conductor	1,94 Ω / km
Loop	5,28 Ω / km

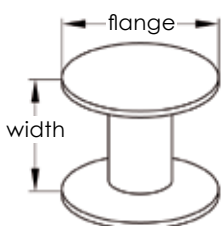
Attenuation (@ 20°C)

frequency (MHz)	max. loss (dB/100m)
5	0,46
30	1,12
45	1,35
50	1,44
55	1,54
83	1,90
108	2,17
150	2,59
181	2,89
193	2,95
211	3,12
220	3,22
250	3,38
270	3,51
300	3,71
325	3,87
350	4,03
375	4,17
400	4,33
425	4,49
450	4,59
500	4,89
550	5,12
600	5,38
750	6,07
865	6,56
1000	7,12

Physical Dimensions

component	∅ (mm)
Nominal center conductor diameter	3,15
Nominal diameter over dielectric	13,03
Nominal diameter over outer conductor	13,72
Nominal outer conductor thickness	0,343
Nominal diameter over jacket	15,49
Nominal jacket wall thickness	0,89

Reel parameters



width: 700 mm
flange: 1100 mm
cable length: 900-1300 m

TC540-SSM-CCA

coax cable



Standard, messengered construction

- 3,15 mm copper clad aluminium center conductor
- Gas expanded polyethylene dielectric
- Continuous aluminium outer conductor
- Flame retardant polyethylene (PE) jacket
- Minimum breaking strength of solid steel wire messenger 816 kg_f

Mechanical characteristics

Min. bending radius (jacketed)	102 mm
Max. pulling tension	100 kg _f

Electrical characteristics

Capacitance	50 ± 3.0 nf/km
Impedance	75 ± 2 Ω
Velocity of propagation	> 87%
Shielding effectiveness	> 100 dB

Mechanical D.C. Resistance (@ 20°C)

Inner conductor	3,34 Ω / km
Outer conductor	1,94 Ω / km
Loop	5,28 Ω / km

Physical Dimensions

component	∅ (mm)
Nominal center conductor diameter	3,15
Nominal diameter over dielectric	13,03
Nominal diameter over outer conductor	13,72
Nominal outer conductor thickness	0,343
Nominal diameter over jacket	15,49
Nominal jacket wall thickness	0,89
Diameter of steel messenger	2,77

Reel parameters

	<p>width: 700 mm</p> <p>flange: 1100 mm</p> <p>cable length: 900-1300 m</p>
--	---

Attenuation (@ 20°C)

frequency (MHz)	max. loss (dB/100m)
5	0,46
30	1,12
45	1,35
50	1,44
55	1,54
83	1,90
108	2,17
150	2,59
181	2,89
193	2,95
211	3,12
220	3,22
250	3,38
270	3,51
300	3,71
325	3,87
350	4,03
375	4,17
400	4,33
425	4,49
450	4,59
500	4,89
550	5,12
600	5,38
750	6,07
865	6,56
1000	7,12

TC715-CCA coax cable



Standard construction

- 4,22 mm copper clad aluminium center conductor
- Gas expanded polyethylene dielectric
- Continuous aluminium outer conductor
- Flame retardant polyethylene (PE) jacket

Mechanical characteristics

Min. bending radius (jacketed)	127 mm
Max. pulling tension	154 kg _f

Electrical characteristics

Capacitance	50 ± 3.0 nf/km
Impedance	75 ± 2 Ω
Velocity of propagation	88%
Shielding effectiveness	> 110 dB

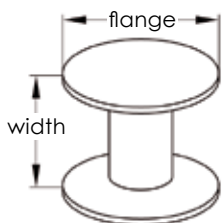
Mechanical D.C. Resistance (@ 20°C)

Inner conductor	1,90 Ω / km
Outer conductor	1,37 Ω / km
Loop	3,27 Ω / km

Physical Dimensions

component	∅ (mm)
Nominal center conductor diameter	4,22
Nominal diameter over dielectric	17,42
Nominal diameter over outer conductor	18,16
Nominal outer conductor thickness	0,37
Nominal diameter over jacket	19,94
Nominal jacket wall thickness	0,89

Reel parameters



width: 700 mm
flange: 1100 mm
cable length: 800-1100 m

Attenuation (@ 20°C)

frequency (MHz)	max. loss (dB/100m)
5	0,36
30	0,89
45	1,08
50	1,15
55	1,18
83	1,48
108	1,67
150	2,00
181	2,23
193	2,30
211	2,43
220	2,49
250	2,66
270	2,76
300	2,92
325	3,08
350	3,18
375	3,31
400	3,44
425	3,58
450	3,67
500	3,90
550	4,10
600	4,30
750	4,89
865	5,31
1000	5,74

TC715-ASM-CCA
coax cable



Standard, messengered construction

- 4,22 mm copper clad aluminium center conductor
- Gas expanded polyethylene dielectric
- Continuous aluminium outer conductor
- Flame retardant polyethylene (PE) jacket
- Minimum breaking strength of almelec standardised messenger 700 kg_f

Mechanical characteristics

Min. bending radius (jacketed)	127 mm
Max. pulling tension	154 kg _f

Electrical characteristics

Capacitance	50 ± 3.0 nf/km
Impedance	75 ± 2 Ω
Velocity of propagation	88%
Shielding effectiveness	> 110 dB

Mechanical D.C. Resistance (@ 20°C)

Inner conductor	1,90 Ω / km
Outer conductor	1,37 Ω / km
Loop	3,27 Ω / km

Attenuation (@ 20°C)

frequency (MHz)	max. loss (dB/100m)
5	0,36
30	0,89
45	1,08
50	1,15
55	1,18
83	1,48
108	1,67
150	2,00
181	2,23
193	2,30
211	2,43
220	2,49
250	2,66
270	2,76
300	2,92
325	3,08
350	3,18
375	3,31
400	3,44
425	3,58
450	3,67
500	3,90
550	4,10
600	4,30
750	4,89
865	5,31
1000	5,74

Physical Dimensions

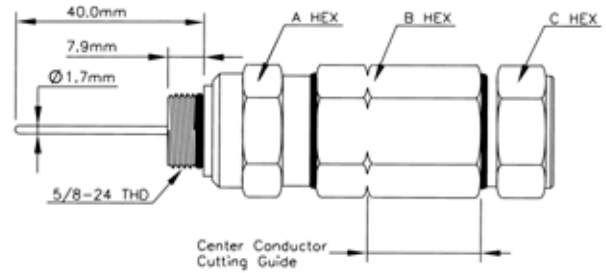
component	∅ (mm)
Nominal center conductor diameter	4,22
Nominal diameter over dielectric	17,42
Nominal diameter over outer conductor	18,16
Nominal outer conductor thickness	0,37
Nominal diameter over jacket	19,94
Nominal jacket wall thickness	0,89
Diameter of almelec messenger	7 X 2,0

Reel parameters

	<p>width: 700 mm</p> <p>flange: 1100 mm</p> <p>cable length: 800-1100 m</p>
--	---

CH-QR

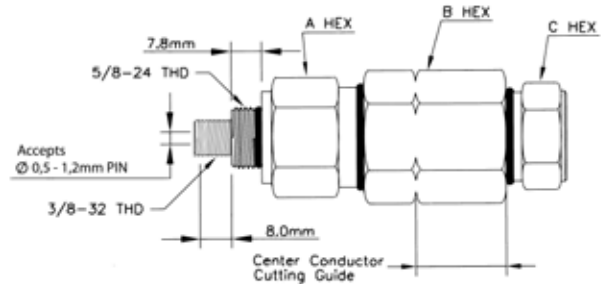
pin type connector for 540 and 715 QR type cables



Part number	Center cond. diameter (mm)	Cable outer diameter (mm)	DIMENSION (mm)		
			A	B	C
540-CH-QR	3,15	15,5	29	32	29
540-CH-QR-A	3,15	15,5	29	32	29
715-CH-QR	4,2	20	35	34	34

540-FF-QR

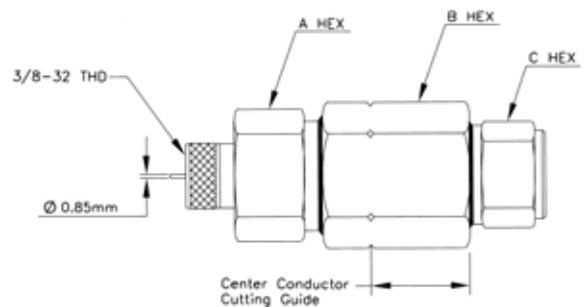
female "F" connector for 540 QR type cables



Part number	Center cond. diameter (mm)	Cable outer diameter (mm)	DIMENSION (mm)		
			A	B	C
540-FF-QR	3,15	15,5	29	32	29

540-FM-QR

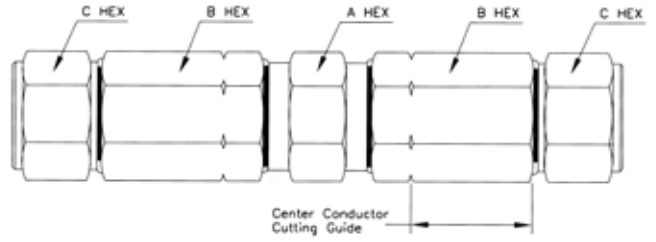
male "F" connector for 540 QR type cables



Part number	Center cond. diameter (mm)	Cable outer diameter (mm)	DIMENSION (mm)		
			A	B	C
540-FM-QR	3,15	15,5	29	32	29

SP-QR

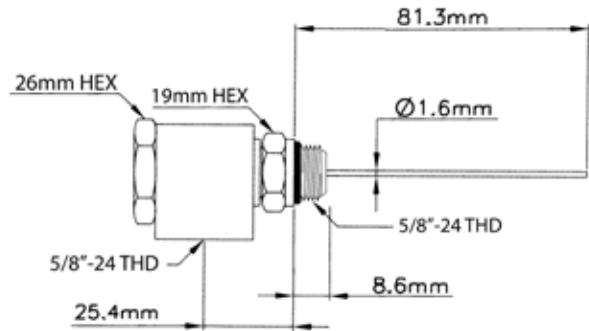
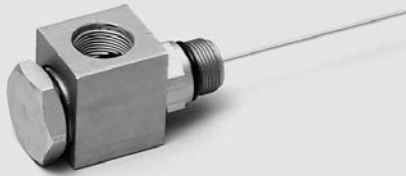
splice connector for 540 and 715 QR type cables



Part number	Center cond. diameter (mm)	Cable outer diameter (mm)	DIMENSION (mm)		
			A	B	C
540-SP-QR	3,15	15,5	29	32	29
715-SP-QR	4,2	20	35	34	34

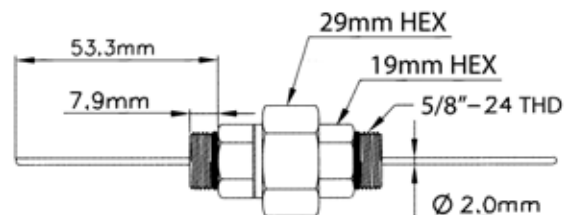
90-KS

90° "KS" adapter



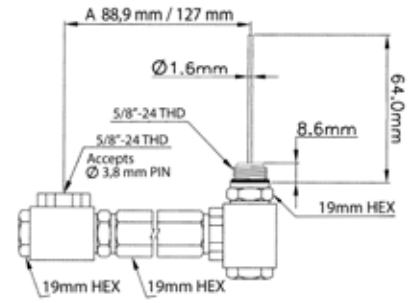
KS-KS-L

male splice adapter



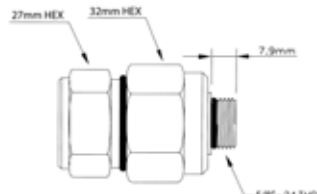
180-KS (F52 / F53)

180° "KS" adapter



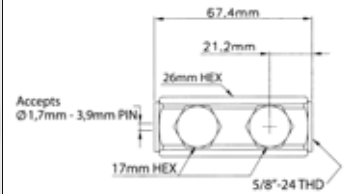
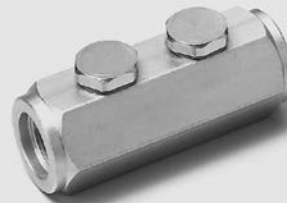
540-B-QR

feed through connector for 540 QR type cables



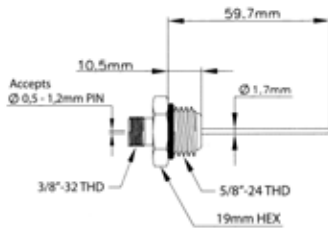
F28FT

female splice connector



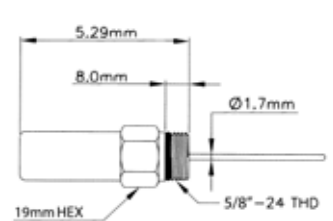
KS-F-AL

"KS" male to "F" female adapter



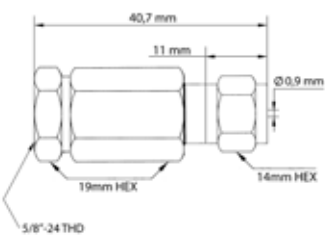
KS-TRM

75 ohm port terminator



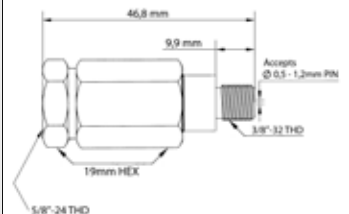
FZ111

5/8 - "F" male adapter



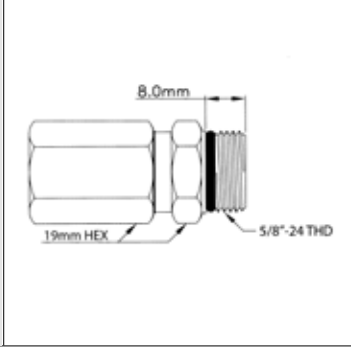
FZ112

5/8 - "F" female adapter



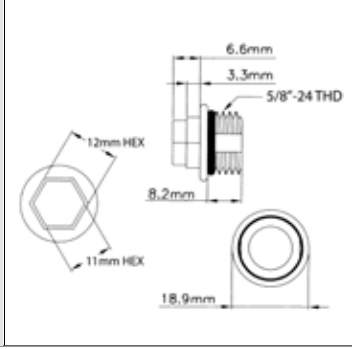
RG11-T-32

RG11 feed through 5/8" connector - ALU



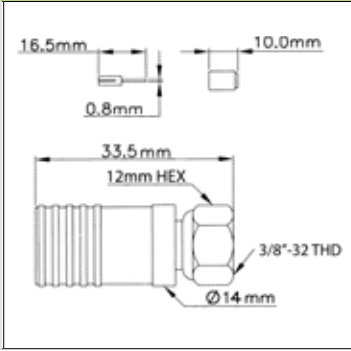
TD85

5/8" Terminator



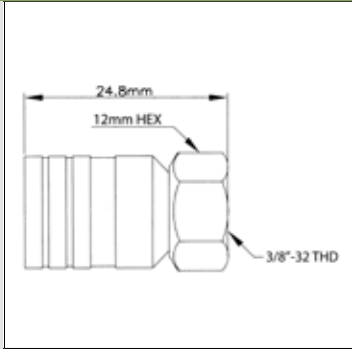
RG11-F15LS

RG11 "F" connector with pin



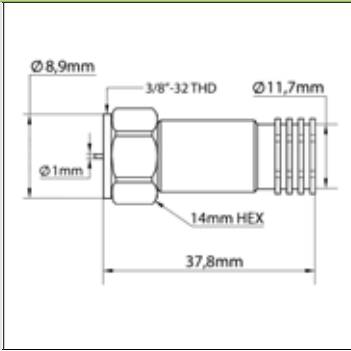
RG11-C-39

RG11 feed through "F" connector



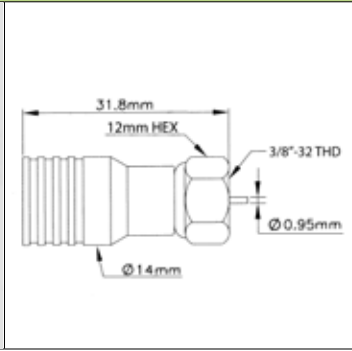
RG11-F-WR

water resist RG11 crimp "F" connector



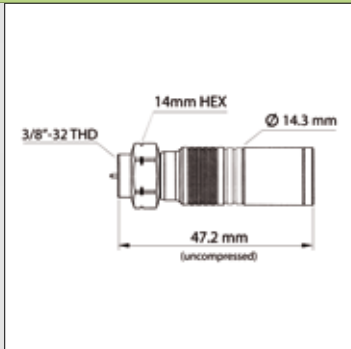
RG11-F15-1

RG11 "F" connector



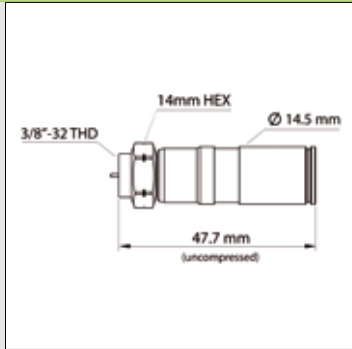
F111

professional RG11 compression connector



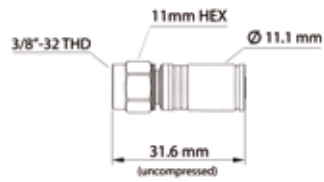
F112

professional RG11 compression connector



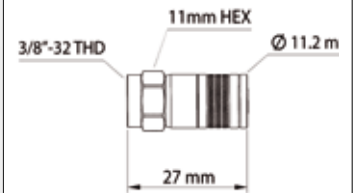
F601

professional RG6 compression connector



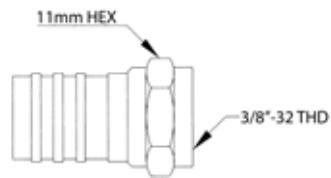
F602

professional RG6 compression connector



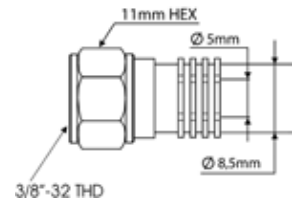
RG6-324

RG6 crimp "F" connector



RG6-360-WR

RG6 crimp "F" connector (water resistant)



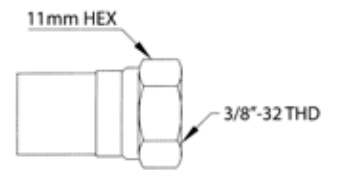
RG59-F-17-T

RG59 radial taper crimp "F" connector



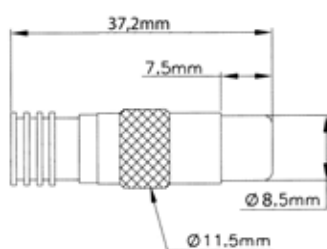
RG6-F-17-T

RG6 radial taper crimp "F" connector



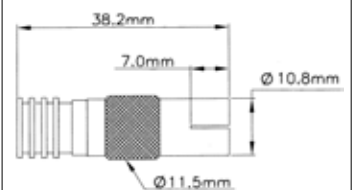
IEC-360M

RG6 IEC male crimp connector



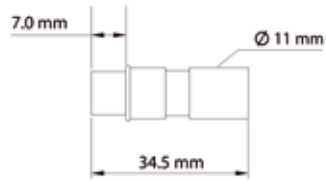
IEC-360F

RG6 IEC female crimp connector



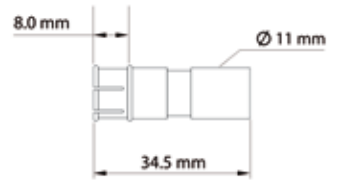
F-114

RG6 IEC male compression connector



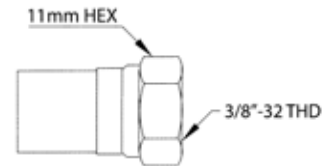
F-115

RG6 IEC female compression connector



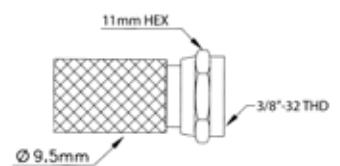
RG6-RTC-WR

RG6 radial taper crimp "F" connector (water resistant)



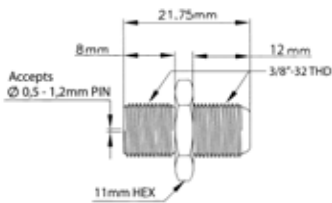
RG6-TWIST

RG6 twist on "F" connector



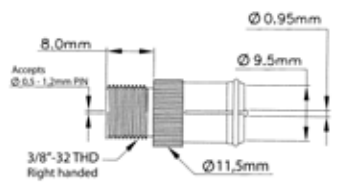
F1174

"F" female to female adapter



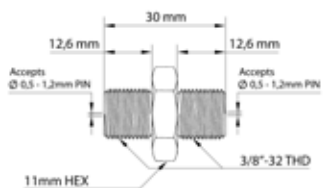
F1176

quick "F" connector



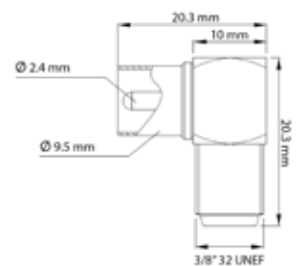
26-F81G

"F" female to female adapter



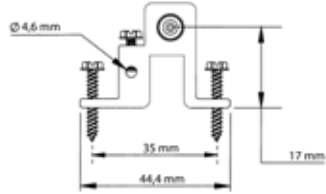
F-F-IEC-M 90°

Right angle PAL male to "F" female adapter



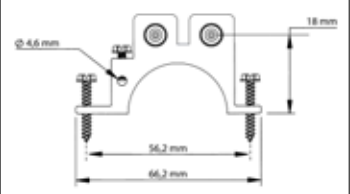
F1177

grounding block



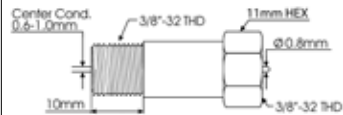
F1178

dual grounding block



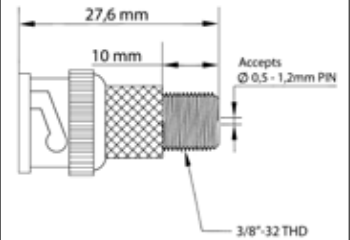
F8032

"F" male to female attenuator (1-15 dB)



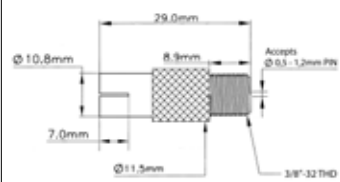
F8082

BNC-"F" adapter



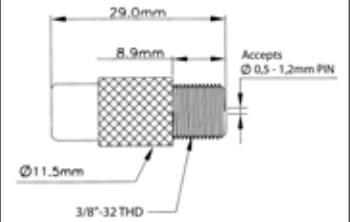
F8093F

"F" female - IEC female adapter



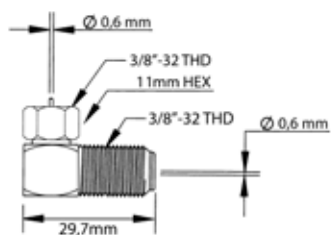
F8094M

"F" female - IEC male adapter



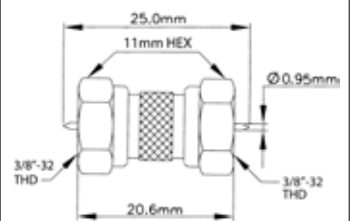
F8095

90° "F" female - "F" male adapter



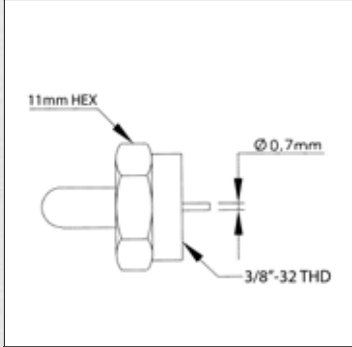
F8096

"F" male to male adapter



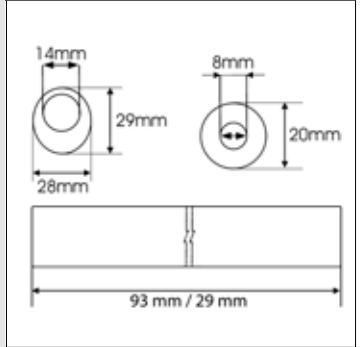
F33 / F33+O (indoor / outdoor)

"F" 75 ohm terminator



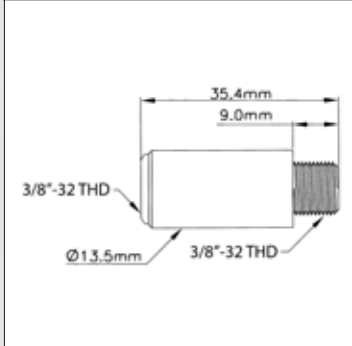
AS-4" / AS-6"

security shield



Y22-BB

theft proof 75 ohm terminator



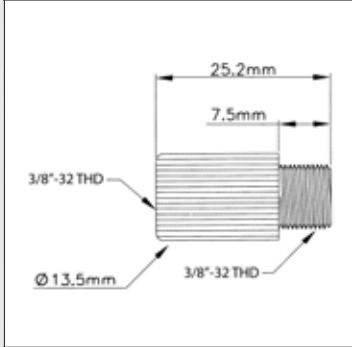
LTT-4 / LTT-7

tool for Y22-BB



Y22-BS

theft proof 75 ohm terminator



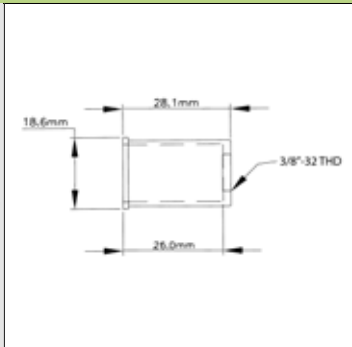
K22

tool for Y22-BS



F330-T

security shield with thread



F33-T

tool for F330



HT 302A

stripping tool for RG59/RG6



- Prepares all types of RG59, RG6 drop cables
- One step cable preparation
exposes center conductor and
cuts outer jacket.
- Compact size, ergonomic layout
- Adjustable blades (tool included)

Applicable cables

RG59 TYPE CABLES

RG59T60HCU

RG6 TYPE CABLES

RG6S60CCS

RG6S60M

RG6T60CCST

RG6T60HCU-E

RG6T60FCCS

RG6T60MCCS

RG6T60MCCST

RG6T60M

Work process:



step 1.



step 2.



step 3.



step 4.

HT 507

radial taper tool



- Designed to be used with RG6 360° radial compression connectors
- top loading split jaw design with safety latch
- fast and easy insertion, compression and removal
- toggle action allows minimal hand force and maximum strength to compress connectors
- rugged steel frame design with heat treated components assures long operating life
- full cycle ratchet mechanism, with escape lever assures a complete assembly every time

Applicable connectors

PRODUCT NAME	DESCRIPTION
RG6-RTC-WR	RG6 radial taper crimp "F" connector (water resistant)
RG6-F-17-T	RG6 radial taper crimp "F" connector

Work process:



step 1.



step 2.



step 3.



step 4.



HT 106 F

hex crimp tool for RG6 .324" & RG11

HT 106 H

hex crimp tool for RG6 .324" & .360"

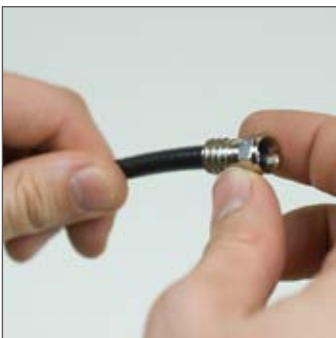
HT 106 M

hex crimp tool for RG6 .360" & RG11

Applicable connectors

HT 106 F	HT 106 H	HT 106 M
RG6-324	RG6-324	RG6-360-WR
IEC-324M	RG6-360-WR	IEC-360M
RG11-IEC	IEC-324M	IEC-360F
RG11-F15LS	IEC-360M	RG6-IEC
RG11-C-39	IEC-360F	RG11-IEC
RG11-F-WR	RG6-IEC	RG11-F15LS
RG11-F15-1		RG11-C-39
90-RG11-F15-1		RG11-F-WR
		RG11-F15-1
		90-RG11-F15-1

Work process:



step 1.



step 2.



step 3.



step 4.



HT 548

compression tool for
RG6 & RG11 crimp connectors

Compression Distance:

- RG6: 19.7mm - 20.3mm
- RG11: 34.8mm - 35.4mm

Applicable connectors

PRODUCT NAME	DESCRIPTION
F601	RG6 compression "F" connector
F602	RG6 compression "F" connector
F111	RG11 compression "F" connector
F112	RG11 compression "F" connector
F114	RG6 IEC male compression connector
F115	RG6 IEC female compression connector

Work process:



step 1.



step 2.



step 3.



step 4.



SCT-540 QR

strip/core tool for TC540 cables

- patented mandrel pin
- patented beveled stripping/coring blade
- ergonomic handle
- dual-edged jacket-stripping blade

Applicable cables

PRODUCT NAME

DESCRIPTION

TC540

Trunk cables

Work process:



step 1.



step 2.



step 3.



step 4.



step 5.



step 6.



step 7.



step 8.



F33-T

tool for F330

- designed for teletronik F330T security shield
- useful for any RG59 / RG6 connectors with 11mm hex



K22

tool for Y22-BS

- designed for teletronik Y22-BS, theft proof terminators

Applicable connectors

Product name	description
F-330-T	security shield with thread

Product name	description
Y22-BS	theft proof 75 ohm terminator

Work process:



step 1.



step 2.

Work process:



step 1.



step 2.



LTT-4 / LTT-7

Locking Terminator Tool for Y22-BB

- Can accommodate a majority of the most popular terminators found in the field
- Take up less space in the installer's tool pouch
- Two terminating tools integrated into one versatile tool
- Length: 114 mm (LTT-4), 203 mm (LTT-7)
- Weight: 54g (LTT-4), 118 g (LTT-7)

Applicable connectors

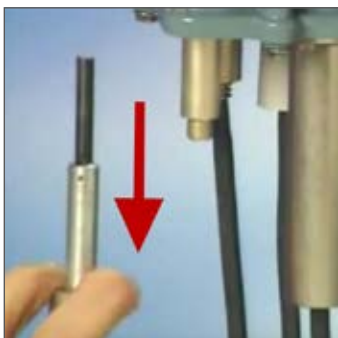
PRODUCT NAME

DESCRIPTION

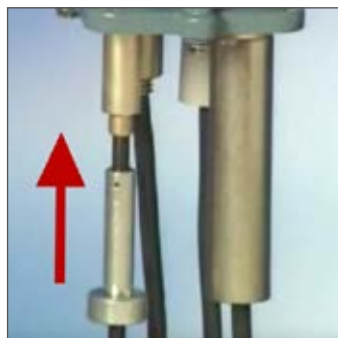
Y22-BB

theft proof 75 ohm terminator

Work process:



step 1.



step 2.



step 3.



step 4.

For in depth information please visit our webpage
Für mehr Information bitte besuchen Sie unsere Webseite

teletronik[®] AG

Bahnhofstrasse 10.
CH, 6302 Zug
Switzerland

teletronik@teletronik.com
www.teletronik.com

Your local distributor: